

# FDC1919X

## High Power, High Isolation

**Features:**

- \* High Power
- \* High Isolation
- \* Low Insertion Loss
- \* Low VSWR

**Applications:**

- \* Wireless
- \* Radar
- \* Laboratory Test

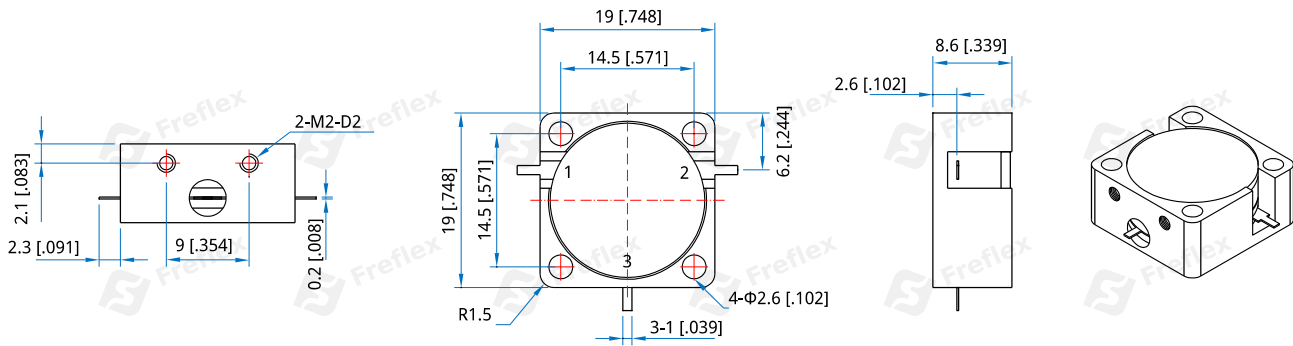
**Description**

FDC1919X series Drop-In Circulators cover frequency range 800~4300MHz. High power, high isolation and low insertion loss make it ideal for a lot of applications like amplifiers, transceivers, etc.

**Specifications**

| Frequency (MHz) | Bandwidth (MHz) | Insertion Loss (dB Max.) | Isolation (dB Min.) | VSWR (Max.) | Average Power (W) | Temperature (°C) |
|-----------------|-----------------|--------------------------|---------------------|-------------|-------------------|------------------|
| 800~1000        | 20              | 0.40                     | 20.0                | 1.25        | 100               | -30~+70          |
| 865~880         | 15              | 0.40                     | 20.0                | 1.25        | 100               | -30~+70          |
| 925~960         | 35              | 0.40                     | 20.0                | 1.25        | 100               | -30~+70          |
| 1000~1700       | 60              | 0.30                     | 23.0                | 1.20        | 100               | -30~+70          |
| 1000~1700       | 200             | 0.40                     | 20.0                | 1.25        | 100               | -30~+70          |
| 1030~1090       | 60              | 0.30                     | 23.0                | 1.20        | 100               | -30~+70          |
| 1000~1200       | 200             | 0.40                     | 20.0                | 1.25        | 100               | -30~+70          |
| 1100~1300       | 200             | 0.40                     | 20.0                | 1.25        | 100               | -30~+70          |
| 1325~1375       | 50              | 0.30                     | 23.0                | 1.20        | 100               | -30~+70          |
| 1500~1700       | 200             | 0.40                     | 20.0                | 1.20        | 100               | -30~+70          |
| 1700~3000       | 75              | 0.30                     | 23.0                | 1.20        | 100               | -30~+70          |
| 1700~3000       | 200             | 0.40                     | 20.0                | 1.25        | 100               | -30~+70          |
| 1700~1900       | 200             | 0.40                     | 20.0                | 1.25        | 100               | -30~+70          |
| 1710~1785       | 75              | 0.30                     | 23.0                | 1.20        | 100               | -30~+70          |
| 1805~1880       | 75              | 0.30                     | 23.0                | 1.20        | 100               | -30~+70          |
| 1920~1980       | 60              | 0.30                     | 23.0                | 1.20        | 100               | -30~+70          |
| 2110~2170       | 60              | 0.30                     | 23.0                | 1.20        | 100               | -30~+70          |
| 2000~2200       | 200             | 0.30                     | 23.0                | 1.20        | 100               | -30~+70          |
| 2100~2300       | 200             | 0.35                     | 21.0                | 1.19        | 100               | -40~+125         |
| 2100~2700       | 600             | 0.50                     | 18.0                | 1.35        | 100               | -30~+70          |
| 2200~2400       | 200             | 0.30                     | 23.0                | 1.20        | 100               | -30~+70          |
| 2300~2500       | 200             | 0.30                     | 23.0                | 1.20        | 100               | -30~+70          |
| 2300~2700       | 400             | 0.40                     | 20.0                | 1.25        | 100               | -30~+70          |
| 2700~3100       | 400             | 0.40                     | 20.0                | 1.25        | 100               | -30~+70          |
| 3100~3400       | 300             | 0.40                     | 20.0                | 1.25        | 100               | -30~+70          |
| 3400~3600       | 200             | 0.30                     | 23.0                | 1.20        | 100               | -30~+70          |
| 3400~4300       | 900             | 0.50                     | 20.0                | 1.25        | 100               | -30~+70          |

## Outline Drawings



Unit: mm [inch]      Tolerance:  $\pm 0.2\text{mm}$  [ $\pm 0.008\text{in}$ ]

### Mechanical

|                      |  |
|----------------------|--|
| Size <sup>*1</sup> : | 19*19*8.6mm<br>0.748*0.748*0.339in                     |
| Connector Type:      | Strip line   |
| Mounting:            | 4- $\Phi 2.6\text{mm}$ through-hole<br>2-M2, depth 2mm |

[1] Exclude connectors

### Direction Naming Rules:

- 1 - Clockwise
- 2 - Anticlockwise

### How To Order

#### FDC1919X-W-X-Y-Z

- W: Start frequency in MHz
- X: Stop frequency in MHz
- Y: Average Power in W
- Z: Direction type

#### Examples:

To order a FDC1919X series Circulator, 925-960MHz, 100W, Clockwise, specify FDC1919X-925-960-K1-1.

Customization is available upon request.