

FDC2020X

High Power, High Isolation

Features:

- * High Power
- * High Isolation
- * Low Insertion Loss
- * Low VSWR

Applications:

- * Wireless
- * Radar
- * Laboratory Test

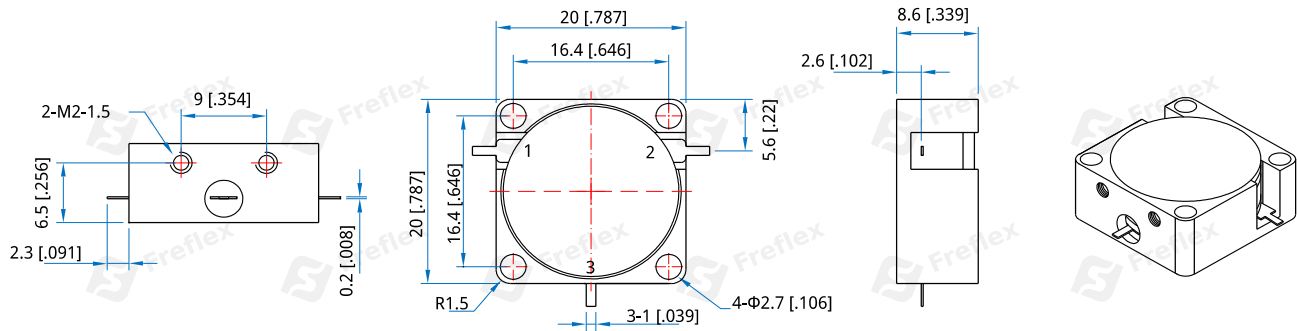
Description

FDC2020X series Drop-In Circulators cover frequency range 600~4000MHz. High power, high isolation and low insertion loss make it ideal for a lot of applications like amplifiers, transceivers, etc.

Specifications

Frequency (MHz)	Bandwidth (MHz)	Insertion Loss (dB Max.)	Isolation (dB Min.)	VSWR (Max.)	Average Power (W Max.)	Temperature (°C)
600~800	20	0.40	23.0	1.20	100	-30~+70
600~800	50	0.40	20.0	1.25	100	-30~+70
700~1300	30	0.25	25.0	1.15	100	-30~+70
700~1300	100	0.40	20.0	1.25	100	-30~+70
825~875	50	0.40	20.0	1.20	100	-30~+70
869~894	25	0.25	25.0	1.20	100	-30~+70
885~915	30	0.25	25.0	1.20	100	-30~+70
850~960	110	0.40	20.0	1.25	100	-30~+70
920~960	40	0.25	25.0	1.20	100	-30~+70
1030~1090	60	0.30	23.0	1.20	100	-30~+70
1300~3000	75	0.25	25.0	1.15	100	-30~+70
1300~3000	100	0.30	23.0	1.20	100	-30~+70
1300~3000	200	0.40	20.0	1.25	100	-30~+70
1500~1700	200	0.40	20.0	1.25	100	-30~+70
1700~1900	200	0.40	20.0	1.25	100	-30~+70
1900~2200	300	0.40	20.0	1.25	100	-30~+70
2100~2700	600	0.50	18.0	1.35	100	-30~+70
2300~2700	400	0.40	20.0	1.25	100	-30~+70
2400~2500	100	0.25	25.0	1.15	100	-30~+70
2500~2700	200	0.30	23.0	1.20	100	-30~+70
3000~4000	200	0.30	23.0	1.20	100	-30~+70
3000~4000	400	0.40	20.0	1.25	100	-30~+70
3200~3900	700	0.40	20.0	1.25	100	-30~+70
3300~3600	300	0.40	23.0	1.20	100	-30~+70
3400~4300	900	0.50	20.0	1.25	100	-30~+70
3600~3800	200	0.30	23.0	1.20	100	-30~+70

Outline Drawings



Unit: mm [inch] Tolerance: $\pm 0.2\text{mm}$ [$\pm 0.008\text{in}$]

Mechanical

Size*1:	20*20*8.6mm 0.787*0.787*0.339in
Connector Type:	Strip line
Mounting:	4-Φ2.7mm through-hole 2-M2, depth 1.5mm

[1] Exclude connectors

Direction Naming Rules:

- 1 - Clockwise
- 2 - Anticlockwise

How To Order

FDC2020X-W-X-Y-Z

- W: Start frequency in MHz
- X: Stop frequency in MHz
- Y: Average Power in W
- Z: Direction type

Examples:

To order a FDC2020X series Circulator, 1805~1880MHz, 100W, Clockwise, specify FDC2020X-1805-1880-K1-1.

Customization is available upon request.