

FDC2525X

High Power, High Isolation

Features:

- * High Power
- * High Isolation
- * Low Insertion Loss
- * Low VSWR

Applications:

- * Wireless
- * Radar
- * Laboratory Test

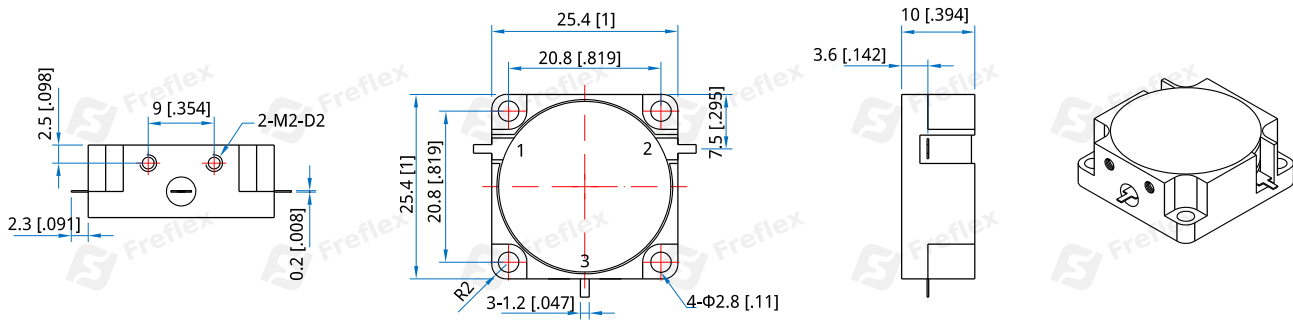
Description

FDC2525X series Drop-In Circulators cover frequency range 350~4000MHz. High power, high isolation and low insertion loss make it ideal for a lot of applications like amplifiers, transceivers, etc.

Specifications

| Frequency (MHz) | Bandwidth (MHz) | Insertion Loss (dB Max.) | Isolation (dB Min.) | VSWR (Max.) | Average Power (W) | Temperature (°C) |
|--------------------|--------------------|-----------------------------|------------------------|----------------|----------------------|---------------------|
| 350~400 | 20 | 0.50 | 20.0 | 1.25 | 100~250 | -30~+70 |
| 400~800 | 20 | 0.40 | 23.0 | 1.25 | 100~250 | -30~+70 |
| 400~800 | 70 | 0.40 | 20.0 | 1.20 | 100~250 | -30~+70 |
| 700~1300 | 30 | 0.25 | 25.0 | 1.15 | 100~250 | -30~+70 |
| 700~1300 | 100 | 0.40 | 20.0 | 1.25 | 100~250 | -30~+70 |
| 746~870 | 124 | 0.40 | 20.0 | 1.20 | 100~250 | -30~+70 |
| 869~894 | 25 | 0.25 | 25.0 | 1.20 | 100~250 | -30~+70 |
| 885~915 | 30 | 0.25 | 25.0 | 1.20 | 100~250 | -30~+70 |
| 850~960 | 110 | 0.40 | 20.0 | 1.25 | 100~250 | -30~+70 |
| 920~960 | 40 | 0.25 | 25.0 | 1.20 | 100~250 | -30~+70 |
| 960~1215 | 255 | 0.40 | 20.0 | 1.25 | 100~250 | -30~+70 |
| 1010~1050 | 40 | 0.35 | 20.0 | 1.20 | 100 | -40~+85 |
| 1030~1090 | 60 | 0.30 | 23.0 | 1.20 | 100~250 | -30~+70 |
| 1300~3000 | 75 | 0.25 | 25.0 | 1.15 | 100~250 | -30~+70 |
| 1300~3000 | 100 | 0.30 | 23.0 | 1.20 | 100~250 | -30~+70 |
| 1300~3000 | 200 | 0.40 | 20.0 | 1.25 | 100~250 | -30~+70 |
| 1300~1800 | 500 | 0.40 | 16.0 | 1.40 | 100~250 | -30~+70 |
| 1450~1475 | 25 | 0.25 | 23.0 | 1.20 | 150 | -40~85 |
| 1500~1700 | 200 | 0.40 | 20.0 | 1.25 | 100~250 | -30~+70 |
| 1520~1545 | 25 | 0.25 | 23.0 | 1.20 | 150 | -40~+85 |
| 1700~1900 | 200 | 0.40 | 20.0 | 1.25 | 100~250 | -30~+70 |
| 1805~1880 | 75 | 0.40 | 20.0 | 1.25 | 100, 150 | -40~+125 |
| 1880~2650 | 770 | 0.65 | 15.0 | 1.45 | 100~250 | -30~+70 |
| 1900~2200 | 300 | 0.40 | 20.0 | 1.25 | 100~250 | -30~+70 |
| 2010~2170 | 160 | 0.40 | 20.0 | 1.25 | 100 | -30~+75 |
| 2100~2700 | 600 | 0.50 | 18.0 | 1.35 | 100~250 | -30~+70 |
| 2110~2170 | 60 | 0.30 | 20.0 | 1.25 | 200 | -40~+125 |
| 2300~2700 | 400 | 0.40 | 20.0 | 1.25 | 100~250 | -30~+70 |
| 2400~2500 | 100 | 0.25 | 25.0 | 1.15 | 100~250 | -30~+70 |
| 3000~4000 | 200 | 0.30 | 23.0 | 1.20 | 100~250 | -30~+70 |
| 3000~4000 | 400 | 0.40 | 20.0 | 1.25 | 100~250 | -30~+70 |
| 3400~3600 | 200 | 0.30 | 23.0 | 1.20 | 100~250 | -30~+70 |
| 3600~3800 | 200 | 0.30 | 23.0 | 1.20 | 100~250 | -30~+70 |

Outline Drawings



Unit: mm [inch] Tolerance: $\pm 0.2\text{mm}$ [$\pm 0.008\text{in}$]

Mechanical

| | |
|----------------------|--------------------------------------------------------|
| Size* ¹ : | 25.4*25.4*10mm 1*1*0.394in |
| Connector Type: | Strip line |
| Mounting: | 4- $\Phi 2.8\text{mm}$ through-hole 2-M2, depth 2mm |

[1] Exclude connectors

Direction Naming Rules:

- 1 - Clockwise
- 2 - Anticlockwise

How To Order

FDC2525X-W-X-Y-Z

- W: Start frequency in MHz
- X: Stop frequency in MHz
- Y: Average Power in W
- Z: Direction type

Examples:

To order a FDC2525X series Circulator, 350-370MHz, 100W, Clockwise, specify FDC2525X-350-370-K1-1.

Customization is available upon request.