

FDC3234A

High Power, High Isolation

Features:

- * High Power
- * High Isolation
- * Low Insertion Loss
- * Low VSWR

Applications:

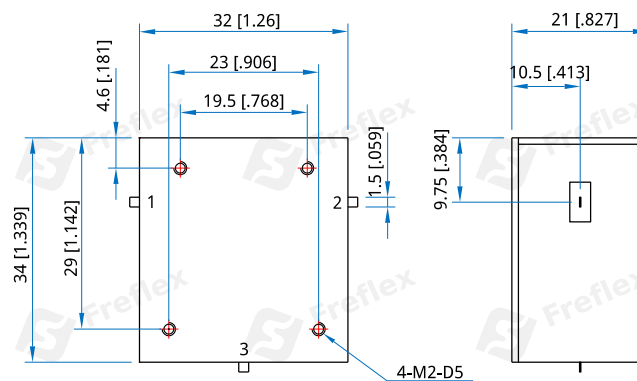
- * Wireless
- * Radar
- * Laboratory Test

Description

FDC3234A series Drop-In Circulators cover frequency range 2~4GHz. High power, high isolation and low insertion loss make it ideal for a lot of applications like amplifiers, transceivers, etc.

Specifications

Frequency (MHz)	Bandwidth (MHz)	Insertion Loss (dB Max.)	Isolation (dB Min.)	VSWR (Max.)	Average Power (W)	Temperature (°C)
2000~4000	2000	0.60	16.0	1.35	10~100	0~+60

Outline Drawings


Unit: mm [inch] Tolerance: $\pm 0.2\text{mm}$ [$\pm 0.008\text{in}$]

Mechanical

Size ^{*1} :	32*34*21mm 1.26*1.339*0.827in
Connector Type:	Strip line
Mounting:	4-M2, depth 5mm

[1] Exclude connectors

How To Order
FDC3234A-W-X-Y-Z

- W: Start frequency in MHz
- X: Stop frequency in MHz
- Y: Average Power in W
- Z: Direction type

Examples:

To order a FDC3234A series Circulator, 2000~4000MHz, 100W, Clockwise, specify FDC3234A-2000-4000-K1-1.

Customization is available upon request.