

FDC3538X

High Power, High Isolation

Features:

- * High Power
- * High Isolation
- * Low Insertion Loss
- * Low VSWR

Applications:

- * Wireless
- * Radar
- * Laboratory Test

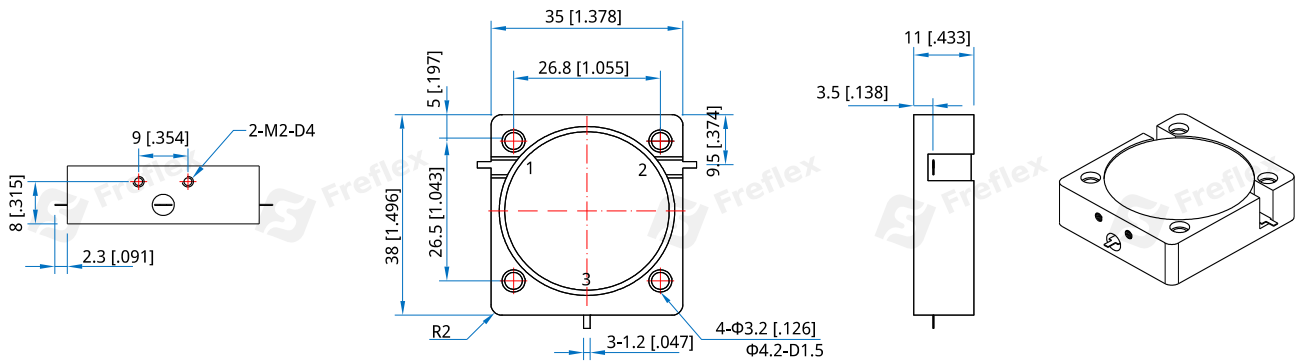
Description

FDC3538X series Drop-In Circulators cover frequency range 300~1850MHz. High power, high isolation and low insertion loss make it ideal for a lot of applications like amplifiers, transceivers, etc.

Specifications

Frequency (MHz)	Bandwidth (MHz)	Insertion Loss (dB Max.)	Isolation (dB Min.)	VSWR (Max.)	Average Power (W)	Temperature (°C)
300~350	50	0.70	18.0	1.35	100~300	-30~+70
300~400	20	0.40	20.0	1.25	100~300	-30~+70
350~370	20	0.40	23.0	1.20	100~300	-30~+70
361~366	5	0.40	23.0	1.20	100~300	-30~+70
400~470	70	0.40	20.0	1.25	100~300	-30~+70
400~600	20	0.30	23.0	1.20	100~300	-30~+70
400~600	50	0.40	20.0	1.25	100~300	-30~+70
470~570	100	0.40	20.0	1.25	100~300	-30~+70
500~700	200	0.70	18.0	1.30	100~300	-30~+70
600~800	30	0.25	25.0	1.15	100~300	-30~+70
600~800	100	0.30	23.0	1.20	100~300	-30~+70
600~800	200	0.45	19.0	1.25	100~300	-30~+70
700~1000	30	0.25	25	1.15	100~300	-30~+70
700~1000	100	0.30	23.0	1.20	100~300	-30~+70
700~1000	200	0.50	18.0	1.30	100~300	-30~+70
950~1450	500	0.60	18.0	1.30	100~300	-30~+70
960~1215	255	0.30	21.0	1.20	100~300	-30~+70
960~1260	300	0.45	20.0	1.25	100~300	-30~+70
1000~1500	500	0.60	18.0	1.30	100~300	-30~+70
1020~1040	20	0.25	25.0	1.15	100~300	-30~+70
1100~1700	600	0.70	14.0	1.50	150	-30~+75
1160~1610	450	0.50	20.0	1.25	100~300	-30~+70
1290~1310	20	0.25	25.0	1.15	100~300	-30~+70
1350~1850	500	0.50	20.0	1.25	100~300	-30~+70

Outline Drawings



Unit: mm [inch] Tolerance: $\pm 0.2\text{mm}$ [$\pm 0.008\text{in}$]

Mechanical

Size ^{*1} :	38*35*11mm 1.496*1.378*0.433in
Connector Type:	Strip line
Mounting:	4-Φ3.2mm through-hole Φ4.2mm, depth 1.5mm 2-M2, depth 4mm

[1] Exclude connectors

Direction Naming Rules:

- 1 - Clockwise
- 2 - Anticlockwise

How To Order

FDC3538X-W-X-Y-Z

- W: Start frequency in MHz
- X: Stop frequency in MHz
- Y: Average Power in W
- Z: Direction type

Examples:

To order a FDC3538X series Circulator, 300~350MHz, 100W, Clockwise, specify FDC3538X-300-350-K1-1.

Customization is available upon request.