

# FDC5050A

## High Power, High Isolation

Features:  
 \* High Power  
 \* High Isolation  
 \* Low Insertion Loss  
 \* Low VSWR

Applications:  
 \* Wireless  
 \* Radar  
 \* Laboratory Test

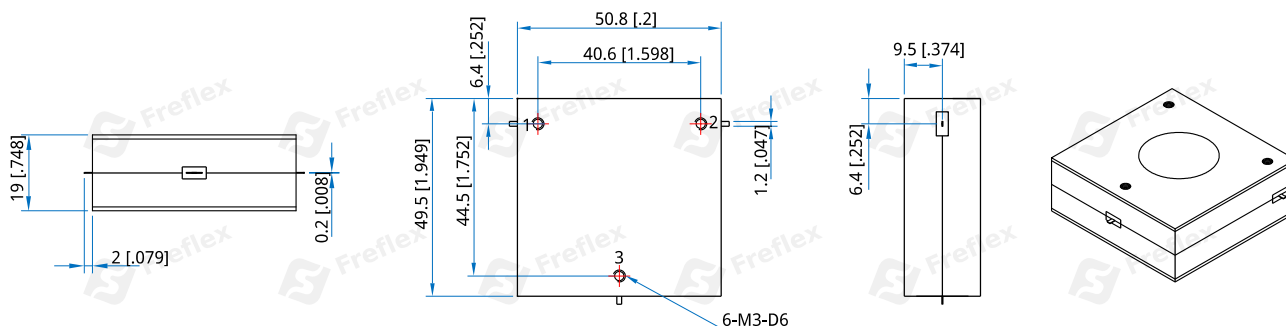
### Description

FDC5050A series Drop-In Circulators cover frequency range 1.5~3GHz. High power, high isolation and low insertion loss make it ideal for a lot of applications like amplifiers, transceivers, etc.

### Specifications

Frequency (MHz)	Bandwidth (MHz)	Insertion Loss (dB Max.)	Isolation (dB Min.)	VSWR (Max.)	Average Power (W)	Temperature (°C)
1500~3000	1500	0.7	17	1.4	10~100	0~+60
1700~2500	800	0.5	18	1.3	100	-30~+85

### Outline Drawings



Unit: mm [inch]      Tolerance:  $\pm 0.2\text{mm}$  [ $\pm 0.008\text{in}$ ]

### Mechanical

Size<sup>\*1</sup>: 50.8\*49.5\*19mm  
 2\*1.949\*0.748in  
 Connector Type: Strip line  
 Mounting: 6-M3, depth 6mm

[1] Exclude connectors

### Direction Naming Rules:

- 1 - Clockwise
- 2 - Anticlockwise

### How To Order

#### FDC5050A-W-X-Y-Z

W: Start frequency in MHz  
 X: Stop frequency in MHz  
 Y: Average Power in W  
 Z: Direction type

#### Examples:

To order a FDC5050A series Circulator, 1300~2600MHz, 100W, Clockwise, specify FDC5050A-1300-2600-K1-1.

Customization is available upon request.