

FDC5050X

High Power, High Isolation

Features:

- * High Power
- * High Isolation
- * Low Insertion Loss
- * Low VSWR

Applications:

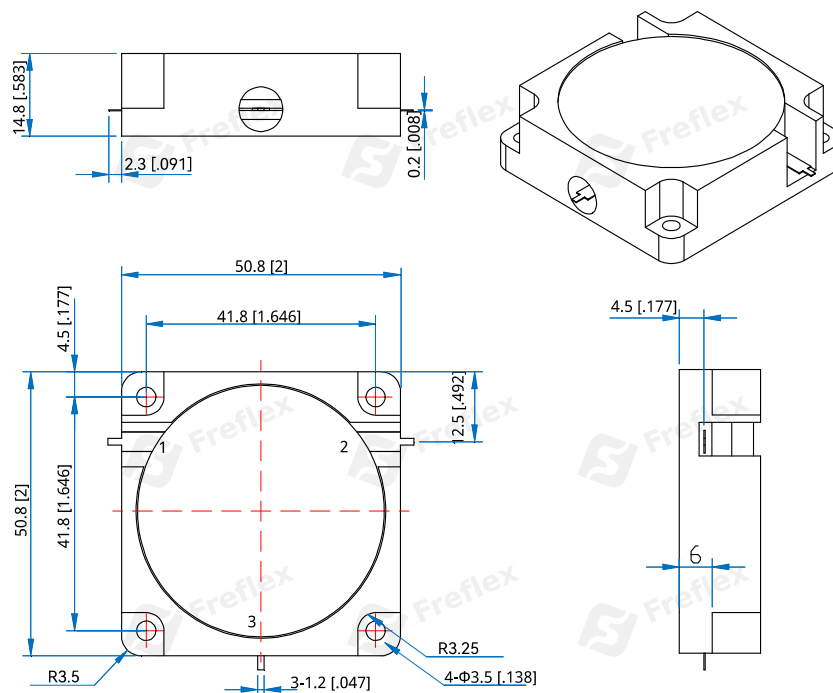
- * Wireless
- * Radar
- * Laboratory Test

Description

FDC5050X series Drop-In Circulators cover frequency range 150~330MHz. High power, high isolation and low insertion loss make it ideal for a lot of applications like amplifiers, transceivers, etc.

Specifications

Frequency (MHz)	Bandwidth (MHz)	Insertion Loss (dB Max.)	Isolation (dB Min.)	VSWR (Max.)	Average Power (W)	Temperature (°C)
150~200	10	0.70	18.0	1.30	100~400	-30~+70
192~232	40	0.60	18.0	1.30	100~400	-30~+70
200~220	20	0.40	20.0	1.25	100~400	-30~+70
220~240	20	0.40	20.0	1.25	100~400	-30~+70
260~265	5	0.40	20.0	1.25	250	-30~+75
260~330	10	0.20	23.0	1.20	100~400	-30~+70
260~330	70	0.40	20.0	1.25	100~400	-30~+70

Outline Drawings


Unit: mm [inch]

Tolerance: ±0.2mm [±0.008in]

Mechanical

Size*1: 50.8*50.8*14.8mm
2*2*0.583in
Connector Type: Strip line
Mounting: 4-Φ3.5mm through-hole

[1] Exclude connectors

Direction Naming Rules:

- 1 - Clockwise
- 2 - Anticlockwise

How To Order**FDC5050X-W-X-Y-Z**

W: Start frequency in MHz
X: Stop frequency in MHz
Y: Average Power in W
Z: Direction type

Examples:

To order a FDC5050X series Circulator, 160~166MHz, 200W, Clockwise, specify FDC5050X-160-166-K2-1.

Customization is available upon request.