

FDDC7038X

High Power, High Isolation

Features:

- * High Power
- * High Isolation
- * Low Insertion Loss
- * Low VSWR

Applications:

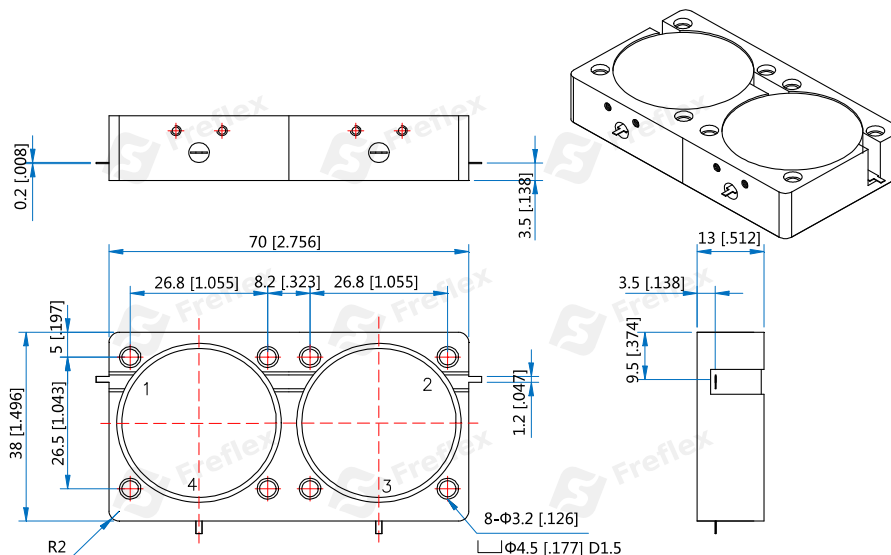
- * Wireless
- * Radar
- * Laboratory Test

Description

FDDC7038X series Drop-In Circulators cover frequency range 1.1~1.7GHz. High power, high isolation and low insertion loss make it ideal for a lot of applications like amplifiers, transceivers, etc.

Specifications

Frequency (MHz)	Bandwidth (MHz)	Insertion Loss (dB Max.)	Isolation (dB Min.)	VSWR (Max.)	Average Power (W)	Temperature (°C)
1100~1700	600	0.60@2-3/4-1	10@3-2/1-4	1.50	100	0~+60
		1.20@1-2/3-4	28@2-1/4-3			

Outline Drawings


Unit: mm [inch] Tolerance: ±0.2mm [±0.008in]

Mechanical

Size*1: 70*38*13mm
 2.756*1.496*0.512in
 Connector Type: Strip line
 Mounting: 8-Φ3.2mm through-hole

[1] Exclude connectors

Direction Naming Rules:

- 1 - Clockwise
- 2 - Anticlockwise

How To Order
FDDC7038X-W-X-Y-Z

W: Start frequency in MHz
 X: Stop frequency in MHz
 Y: Average Power in W
 Z: Direction type

Examples:

To order a FDDC7038X series Circulator, 1100~1700MHz, 100W, Clockwise, specify FDDC7038X-1100-1700-K1-1. Customization is available upon request.