

FDI1318T

High Power, High Isolation

Features:

- * High Power
- * High Isolation
- * Low Insertion Loss
- * Low VSWR

Applications:

- * Wireless
- * Radar
- * Laboratory Test

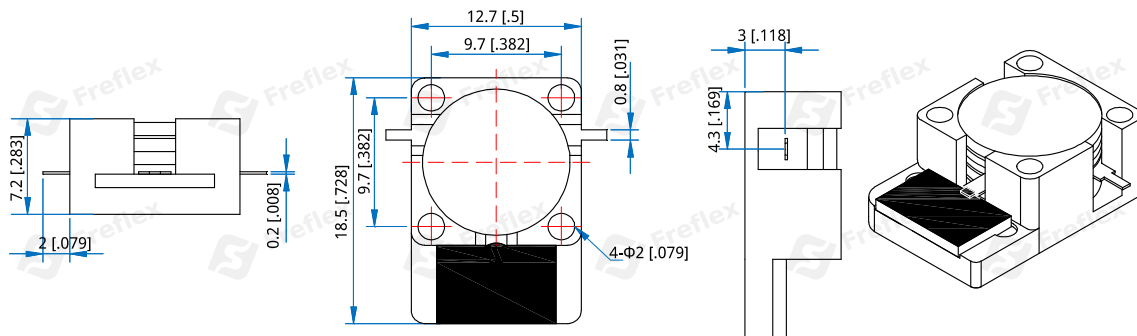
Description

FDI1318T series Drop-In Isolators cover frequency range 5100~5900MHz. High power, high isolation and low insertion loss make it ideal for a lot of applications like amplifiers, transceivers, etc.

Specifications

Frequency (MHz)	Bandwidth (MHz)	Insertion Loss (dB Max.)	Isolation (dB Min.)	VSWR (Max.)	Fwd Power (W Max.)	Rev Power (W)	Temperature (°C)
5100~5300	200	0.50	18.0	1.30	100	100	-30~+70
5700~5900	200	0.50	18.0	1.30	100	100	-30~+70

Outline Drawings



Unit: mm [inch]

Tolerance: ±0.2mm [±0.008in]

Mechanical

Size^{*1}: 12.7*18.5*7.2mm

0.5*0.728*0.283in

Connector Type: Strip line

Mounting: 4-Φ2mm through-hole

[1] Exclude connectors.

Direction Naming Rules:

- 1 - Clockwise
- 2 - Anticlockwise

How To Order

FDI1318T-V-W-X-Y-Z

V: Start frequency in MHz

W: Stop frequency in MHz

X: Forward Power in W

Y: Reverse Power in W

Z: Direction type

Examples:

To order a FDI1318T series Isolator, 5100~5300MHz, Forward power 100W, Reverse power 100W, Clockwise, specify FDI1318T-5100-5300-K1-K1-1.

Customization is available upon request.