

FDO-23100-0

23.1GHz, 0dBm

Features:

- * High Frequency Stability
- * Ultra Low Phase Noise

Applications:

- * Wireless
- * Transceiver
- * Laboratory Test
- * Radar

Electrical

Frequency:	23.1GHz
Frequency Temperature Stability:	±5ppm max.
Output Power:	0dBm min.
Output Power Variation Over Temperature Range:	±1dB max.
Phase Noise:	-100dBc/Hz typ. @100KHz
Harmonic:	-20dBc max. @11.55&34.65GHz
Spurious:	-80dBc max.
Mechanical Tuning:	±25MHz min.
Voltage:	+12V
Current:	200mA max.

Mechanical

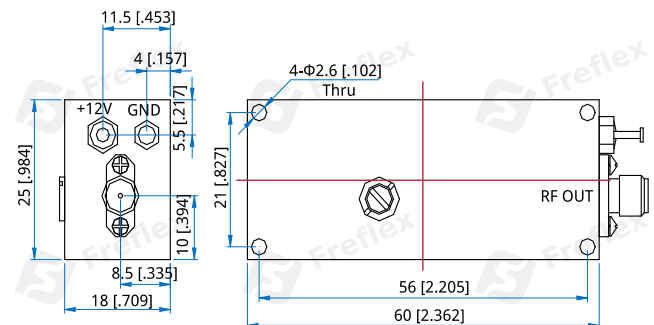
Size ^{*1} :	60*25*18mm 2.362*0.984*0.709in
RF Connectors:	SMA Female
Power Supply Connectors:	Feed Through/Terminal Post
Mounting:	4-Φ2.6mm through-hole

[1] Exclude connectors.

Environmental

Operating Temperature:	-40~+75°C
------------------------	-----------

Outline Drawings



Unit: mm [in]

Tolerance: ±0.2mm [±0.008in]

How To Order

FDO-23100-0

Customization is available upon request.