

FDO-9290-16

9.29GHz, 16dBm

Features:

- * High Frequency Stability
- * Ultra Low Phase Noise

Applications:

- * Wireless
- * Transceiver
- * Laboratory Test
- * Radar

Electrical

Frequency:	9.29GHz
Frequency Temperature Stability:	±5ppm/°C max.
Mechanical Tuning Range:	±50MHz
Output Power:	16dBm min.
Phase Noise:	-95dBc/Hz@10KHz max.
Harmonic:	-20dBc max.
Spurious:	-80dBc max.
Voltage:	+12V
Current:	200mA max.

Mechanical

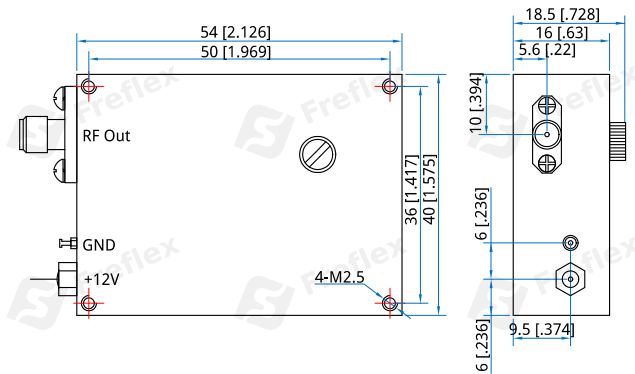
Size ^{*1} :	54*40*18.5mm 2.126*1.575*0.728in
RF Connectors:	SMA Female
Power Supply Connectors:	Feed Through/Terminal Post
Mounting:	4-Φ2.5mm through-hole

[1] Exclude connectors.

Environmental

Operating Temperature:	-40~+75°C
Non-operating Temperature:	-55~+85°C

Outline Drawings



Unit: mm [in]

Tolerance: ±0.2mm [±0.008in]

How To Order

FDO-9290-16

Customization is available upon request.