

FDVO-10000-13

10GHz, 13dBm

Features:

- * High Frequency Stability
- * Ultra Low Phase Noise

Applications:

- * Wireless
- * Transceiver
- * Laboratory Test
- * Radar

Electrical

Output Frequency:	10GHz
Output Power:	13dBm min.
Phase Noise:	-90dBc/Hz@10KHz max.
Frequency Stability:	5ppm max.
Harmonic:	-25dBc max.
Spurious:	-70dBc max.
Voltage:	+12V DC
Current:	60mA max.
Tuning Voltage:	0~12V
Tuning Bandwidth:	15~20MHz

Mechanical

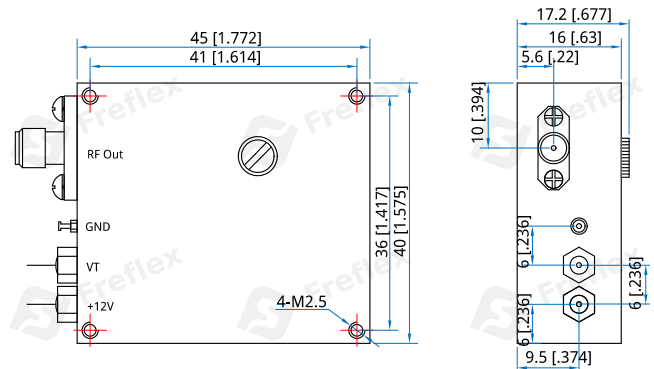
Size ^{*1} :	45*40*17.2mm 1.772*1.575*0.677in
RF Connectors:	SMA Female
Power Supply Connectors:	Feed Through/Terminal Post
Mounting:	4-M2.5

[1] Exclude connectors.

Environmental

Operating Temperature:	-40~+75°C
Non-operating Temperature:	-55~+85°C

Outline Drawings



Unit: mm [in]

Tolerance: ±0.2mm [±0.008in]

How To Order

FDVO-10000-13

Customization is available upon request.