

FDDBC-14500-22000

14.5~22GHz

Features:

- * Broadband
- * High Power
- * Low Insertion Loss

Applications:

- * Amplifiers
- * Transmitter
- * Laboratory Test
- * Radar

Electrical

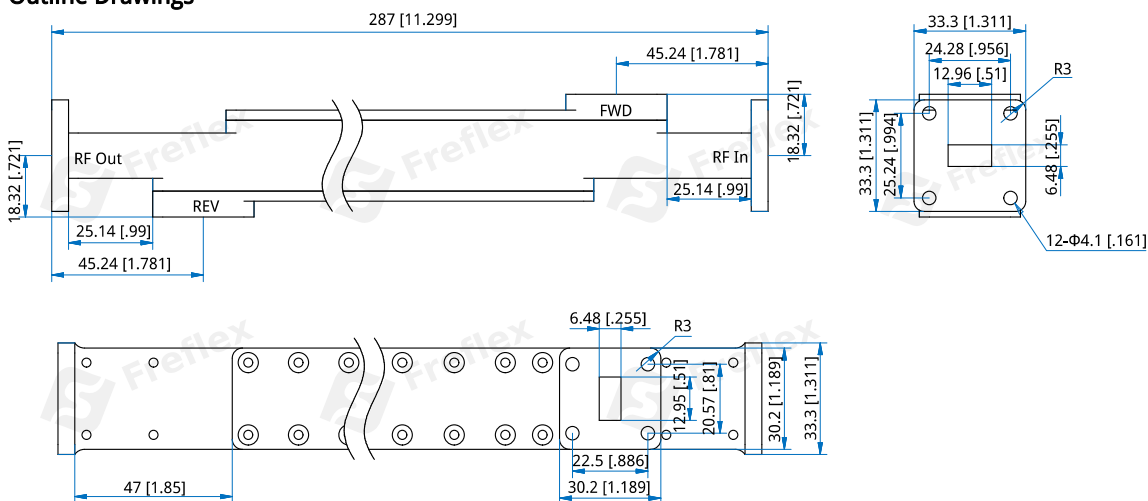
Frequency:	14.5~22GHz
Coupling:	40±1, 50±1dB
VSWR (Mainline):	1.1 max.
VSWR (Coupline):	1.25 max.
Directivity:	30dB min.
Power Handling:	0.12MW

Mechanical

Interface:	WR-51 (BJ180)
Flange:	FBP180
Material:	Aluminium
Finish:	Conductive oxidation
Coating:	Gray paint

Environmental

Operating Temperature: -40~+125°C

Outline Drawings


Outline A

Unit: mm [in] Tolerance: ±0.5mm [±0.02in]

How To Order

FDDBC-14500-22000-W-X-Y-Z

W: Coupling:

40 - Outline A

50 - Outline A

X: Coupling Connector type

Y: Material

Z: Flange type

Connector naming rules:

51 - WR-51 (Outline A)

Material naming rules:

A - Aluminium (Outline A)

Flange naming rules:

1 - FBP (Outline A)

Examples:

To order a Dual Directional Broadwall Coupler, 14.5~22GHz, 40dB, WR-51, Aluminium, FBP180, specify FDDBC-14500-22000-40-51-A-1.

Customization is available upon request.