

## FDTC-S-NS-B4

### SMA Male, Non-Shorting

Features:  
\* Low VSWR

Applications:  
\* Wireless  
\* Radar  
\* Instruments  
\* Electronics

#### Mechanical

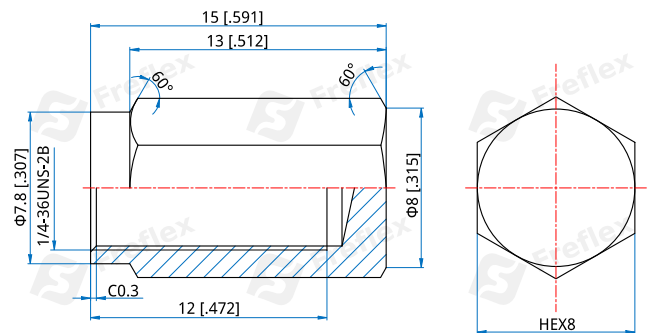
Mating Connector: SMA female  
Outer Conductor: Lead brass C3604  
Coating: Gold plating 0.05um

#### How To Order

#### FDTC-S-NS-B4

Customization is available upon request.

#### Outline Drawings



Unit: mm [in]

Tolerance:  $\pm 0.2\text{mm}$  [ $\pm 0.008\text{in}$ ]