

# FFA0110K

## DC~1GHz, 10KW

**Features:**

- \* Low VSWR
- \* High Attenuation Flatness

**Applications:**

- \* Wireless
- \* Transmitter
- \* Laboratory Test
- \* Radar

**Electrical**

Frequency:	DC~1GHz
Attenuation:	30, 40, 50dB
Impedance:	50Ω
Average Power:	10KW
Peak Power:	100KW (10μs)

Frequency (GHz)	VSWR (max.)	Connectors
DC~0.7	1.4	L36 Female, L52 Female, N Female
DC~1	1.4	7/16 DIN Female

**Attenuation Accuracy**

Frequency (MHz)	Attenuation Accuracy (±dB) vs. Attenuation (dB)		
	30	40	50
DC~30	0.5	0.5	0.5
30~88	0.5	0.5	0.5
88~500	1.0	1.0	1.0
500~700	Provide attenuation curve		
700~1000			

**How To Order**
**FFA0110K-X-Y-Z**

X: Frequency in GHz

Y: Attenuation in dB

Z: Connector type

**Connector naming rules:**

7FNF - 7/16 DIN female&amp;N female

L4FNF - L36 female&amp;N female

L3FNF - L52 female&amp;N female

**Examples:**

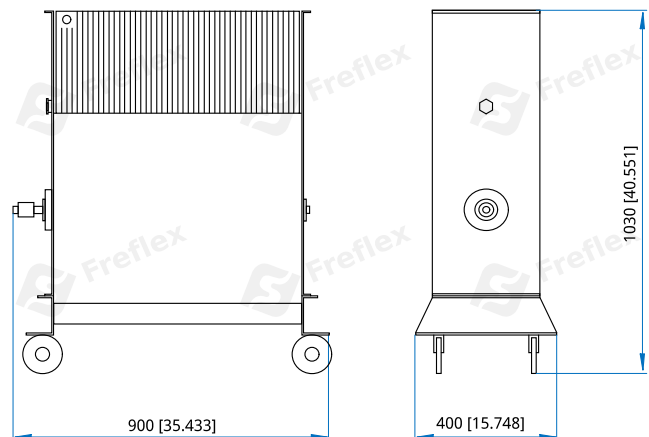
To order an attenuator, DC~1GHz, 7/16 DIN female to N female, 30dB attenuation, specify FFA0110K-1-30-7FNF.

**Mechanical**

Size:	900*400*1030mm 35.433*15.748*40.551in
Weight:	133Kg
Housing:	Aluminum
Outer Conductor:	Nickel plated brass
Male Inner Conductor:	Gold plated brass
Female Inner Conductor:	Gold plated phosphor copper
Coating:	Gray paint
Cooling:	Oil cooling and air cooling

**Environmental**

Temperature: -40~+45°C

**Outline Drawings**


Unit: mm [in]

Tolerance: ±3%

**Expain:**

Replace the hexagon nut with the exhaust valve before startup, and replace the exhaust valve with the hexagon nut during transportation.