

# FFA032K

## DC~3GHz, 2000W

**Features:**

- \* Low VSWR
- \* High Attenuation Flatness

**Applications:**

- \* Wireless
- \* Transmitter
- \* Laboratory Test
- \* Radar

**Electrical**

Frequency:	DC~3GHz
Attenuation:	40, 50dB
Attenuation Accuracy:	±2dB
VSWR:	1.4 max.
Impedance:	50Ω
Average Power*1:	2000W@25°C max.
Peak Power:	10KW (5μS pulse width, 10% duty cycle)

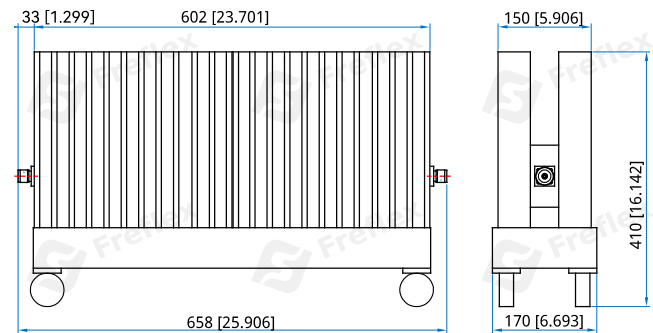
[1] Derated linearly to 200W@125°C.

**Mechanical**

Size:	658*170*410mm 25.906*6.693*16.142in
Weight:	30Kg
RF Connectors:	N, 7/16 DIN
Housing:	Aluminum
Outer Conductor:	Nickel plated brass
Male Inner Conductor:	Silver plated brass
Female Inner Conductor:	Silver plated beryllium copper

**Environmental**

Temperature:	-55~+125°C
--------------	------------

**Outline Drawings**


Unit: mm [in]

Tolerance: ±3%

**How To Order**
**FFA032K-X-Y-Z**

X: Frequency in GHz

Y: Attenuation in dB

Z: Connector type

Connector naming rules:

NF - N Female

N - N Male

7F - 7/16 DIN Female

7 - 7/16 DIN Male

Examples:

To order an attenuator, DC-3GHz, N female to N female, 40dB attenuation, specify FFA032K-3-40-NFNF.