

# FFA08K8

## DC~8GHz, 800W

**Features:**

- \* Low VSWR
- \* High Attenuation Flatness

**Applications:**

- \* Wireless
- \* Transmitter
- \* Laboratory Test
- \* Radar

**Electrical**

Frequency:	DC~8GHz
Attenuation:	50dB
Impedance:	50Ω
Average Power <sup>*1</sup> :	800W@25°C max.
Peak Power:	5KW (5μs pulse width, 10% duty cycle)

[1] Derated linearly to 80W@125°C.

**Attenuation Accuracy and VSWR**

Frequency (GHz)	Attenuation Accuracy (±dB) vs. Attenuation (dB)	VSWR (max.)
	50	
DC~4	±1.0	1.35
DC~6	±1.0	1.45
DC~8	±1.5	1.45

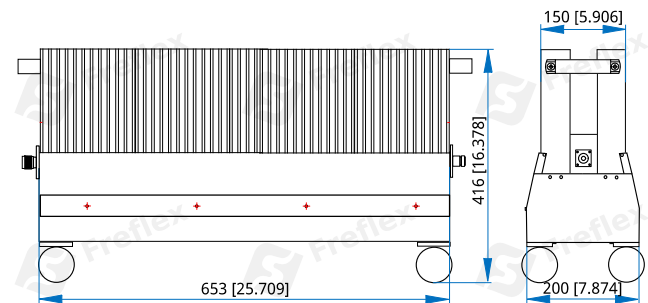
**Mechanical**

Size <sup>*2</sup> :	653*200*416mm 25.709*7.874*16.378in
Weight:	25.2Kg
RF Connectors:	N, 7/16 DIN
Housing:	Aluminum
Outer Conductor:	Nickel plated brass
Male Inner Conductor:	Gold plated brass
Female Inner Conductor:	Gold plated beryllium copper

[2] Excluding connectors.

**Environmental**

Temperature:	-55~+125°C
--------------	------------

**Outline Drawings**


Unit: mm [in]

Tolerance: ±3%

**How To Order**
**FFA08K8-X-Y-Z**

X: Frequency in GHz

Y: Attenuation in dB

Z: Connector type

Connector naming rules:

NFNF - N Female

NN - N Male

N - N Male&N Female

7F7F - 7/16 DIN Female

77 - 7/16 DIN Male

7 - 7/16 DIN Male&7/16 DIN Female

Examples:

To order an attenuator, DC-4GHz, N male to N female, 50dB attenuation, specify FFA08K8-4-50-N.