

FFA2630

DC~26.5GHz, 30W

Features:

- * Low VSWR
- * High Attenuation Flatness

Applications:

- * Wireless
- * Transmitter
- * Laboratory Test
- * Radar

Electrical

Frequency:	DC~26.5GHz
Attenuation:	1~10, 20, 30, 40, 50, 60dB
Impedance:	50Ω
Average Power* ^{1, 2} :	30W@25°C max.
Peak Power:	200W (5μS pulse width, 10% duty cycle)

[1] Derated linearly to 3W@125°C. (20, 30, 40dB)

[2] Derated linearly to 3W@115°C. (1~10, 50, 60dB)

Mechanical

RF Connectors:	SMA
Housing* ³ :	Aluminum
Dielectric:	PEI
Outer Conductor:	Passivated stainless steel
Male Inner Conductor:	Gold plated brass
Female Inner Conductor:	Gold plated beryllium copper

[3] The above materials are only 20, 30, 40dB

Environmental

Temperature: -55~+125°C

How To Order
FFA2630-X-Y-Z

X: Frequency in GHz

Y: Attenuation in dB

20, 30, 40dB - Outline A

1~10, 50, 60dB - Outline B

Z: Connector type

Connector naming rules:

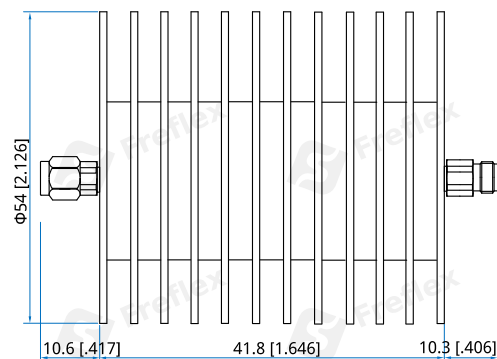
S - SMA

Examples:

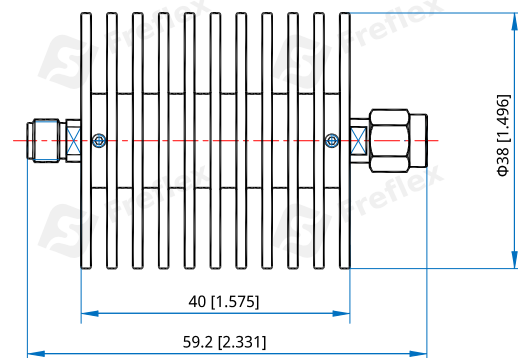
To order an attenuator, DC~26.5GHz, SMA male to SMA female, 20dB attenuation, specify FFA2630-26.5-20-S.

Attenuation Accuracy and VSWR

Frequency (GHz)	Attenuation Accuracy (±dB) vs. Attenuation (dB)							VSWR (max.)
	1-5	6-10	20	30	40	50	60	
DC~26.5	+2.4	+1.2	-	-	-	+1.4	+1.5	1.35
DC~26.5	-	-	-1.5/+1.5	-1.5/+1.5	-1.5/+1.5	-	-	1.3

Outline Drawings


Outline A



Outline B

Unit: mm [in]

Tolerance: ±2mm [±0.08in]