

# FFA6710

## DC~67GHz, 10W

**Features:**

- \* Low VSWR
- \* High Attenuation Flatness

**Applications:**

- \* Wireless
- \* Transmitter
- \* Laboratory Test
- \* Radar

**Electrical**

Frequency:	DC~67GHz
Attenuation:	20dB
Impedance:	50Ω
Average Power* <sup>1</sup> :	10W@25°C max.
Peak Power:	20W (5μS pulse width, 1% duty cycle)

[1] Derated linearly to 0.5W@125°C.

**Mechanical**

RF Connectors:	1.85mm
Housing:	Passivated stainless steel
Dielectric:	PEI
Male Inner Conductor:	Gold plated brass
Female Inner Conductor:	Gold plated beryllium copper

**Environmental**

Operating Temperature:	-55~+125°C
Non-Operating Temperature:	-55~+125°C

**Attenuation Accuracy and VSWR**

Frequency (GHz)	Attenuation Accuracy (±dB) vs. Attenuation (dB)	VSWR (max.)
	20	
DC~67	-1.5/+2.0	1.45

**How To Order**
**FFA6710-X-Y-Z**

X: Frequency in GHz

Y: Attenuation in dB

Z: Connector type

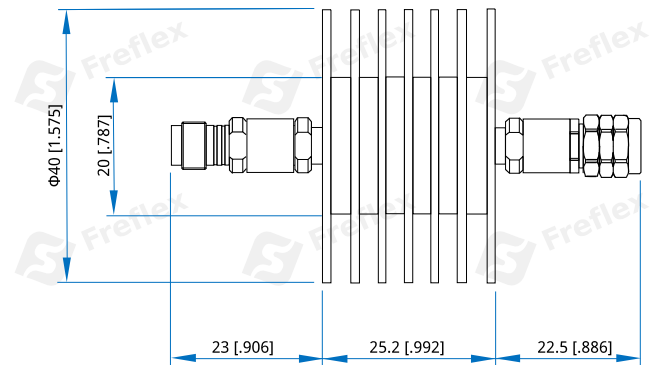
Connector naming rules:

V - 1.85mm

Examples:

To order an attenuator, DC~67GHz, 1.85mm male to 1.85mm female, 20dB attenuation, specify FFA6710-67-20-V.

Customization is available upon request.

**Outline Drawings**


Unit: mm [in]

Tolerance: ±2mm [±0.08in]