

FFD256-0-30000

DC~30GHz

Features:
* Low VSWR

Applications:
* Wireless
* Laboratory Test

Electrical

Input Frequency:	DC~30GHz
Input Power:	0~13dBm
Output Power:	0~3dBm typ.
Divide Ratio:	256
Phase Noise:	-152dBc/Hz@100KHz typ.
Voltage:	+8V
Current:	300mA max.

Mechanical

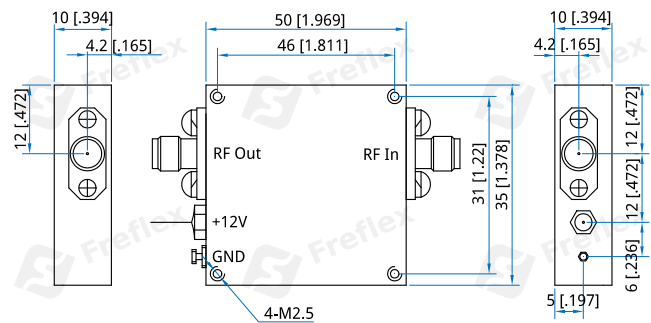
Size*1:	35*50*10mm 1.378*1.969*0.394in
Power Supply Connectors:	Feed Through/Terminal Post
RF Connectors:	SMA Female
Mounting:	4-M2.5 through hole

[1] Exclude connectors.

Environmental

Operating Temperature:	-40~+75°C
Non-operating Temperature:	-55~+85°C

Outline Drawings



Unit: mm [in]

Tolerance: ±0.2mm [±0.008in]

How To Order

FFD256-0-30000

Customization is available upon request.