

FFM2-22000-28000-10

22~28GHz, 10dBm

Features:

- * Broadband
- * Low Power Consumption

Applications:

- * Wireless
- * Transmitter
- * Laboratory Test

Electrical

| | |
|-------------------|------------|
| Input Frequency: | 11~14GHz |
| Output Frequency: | 22~28GHz |
| Input Power: | 3~6dBm |
| Output Power: | 10dBm min. |
| Multiple Ratio: | 2 |
| Voltage: | +5±0.5V DC |
| Current: | 100mA max. |
| Impedance: | 50Ω |

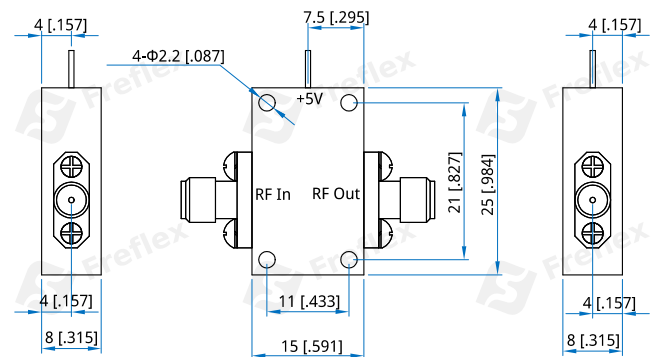
Mechanical

| | |
|----------------------|----------------------------------|
| Size ^{*1} : | 15*25*8mm 0.591*0.984*0.315in |
| RF Connectors: | SMA Female |
| Mounting: | 4-Φ2.2mm through-hole |

[1] Exclude connectors.

Environmental

| | |
|------------------------|-----------|
| Operating Temperature: | -40~+85°C |
|------------------------|-----------|

Outline Drawings


Unit: mm [in]

Tolerance: ±0.2mm [±0.008in]

How To Order

FFM2-22000-28000-10

Customization is available upon request.