

FWT112-2K5

WR-112, 2.5KW

Features:
* Low VSWR

Applications:
* Transmitters
* Antennas
* Laboratory Test
* Impedance Matching

Electrical

Frequency: 6.57~10GHz
Average Power: 2.5KW
VSWR: 1.2 max.

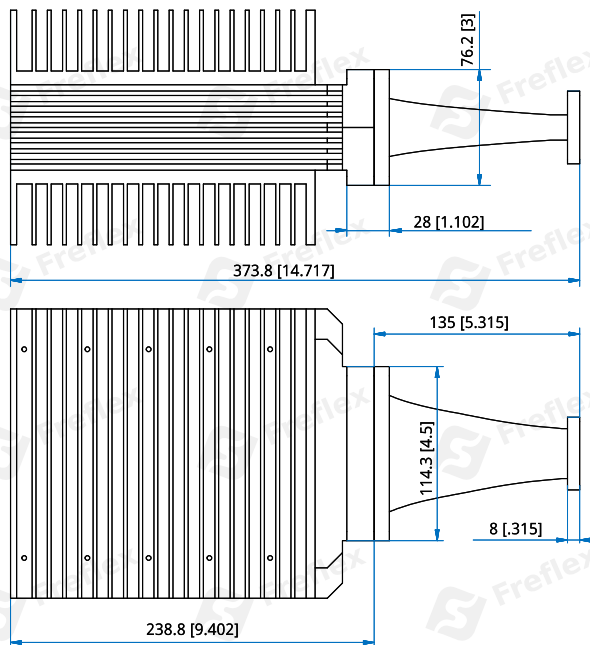
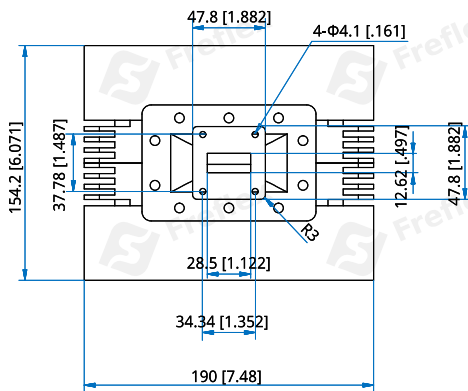
Mechanical

Waveguide Size: WR-112 (BJ84)
Flange: FBP84/FDP84

Environmental

Temperature: -55~+125°C

Outline Drawings



Outline A

Unit: mm [in]

Tolerance: ±0.5mm [±0.02in]

How To Order

FWT112-2K5-Y-Z

Y : Material

Z : Flange type

Material naming rules:

A - Aluminum (Outline A)

Flange naming rules:

1 - FBP84

2 - FDP84 (Outline A)

Examples:

To order a high power waveguide termination, WR-112, 2.5KW, Aluminum, FDP84, specify FWT112-2K5-A-2.

Customization is available upon request.