

FWT137-5K

WR-137, 5KW

Features:
* Low VSWR

Applications:
* Transmitters
* Antennas
* Laboratory Test
* Impedance Matching

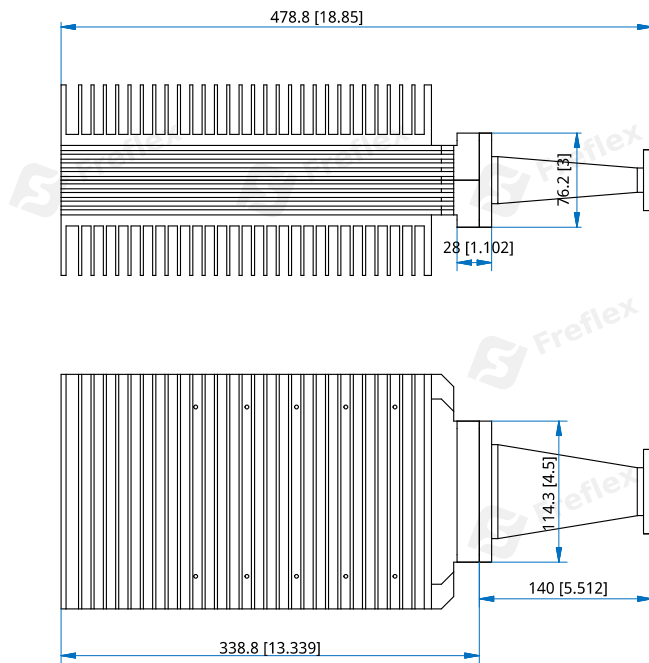
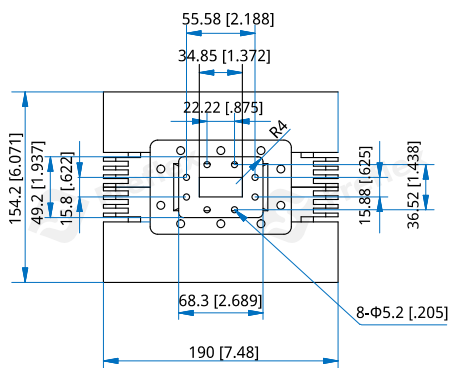
Electrical

Frequency: 5.38–8.17GHz
Average Power: 5KW
VSWR: 1.2 max.

Mechanical

Waveguide Size: WR-137 (BJ70)
Flange: FDP70
Material: Aluminium
Finish: Conductive oxidation
Coating: Black paint

Outline Drawings



Outline A

Unit: mm [in]
Tolerance: ±0.5mm [±0.02in]

How To Order

FWT137-5K-Y-Z

Y: Material

Z: Flange type

Material naming rules:

A - Aluminum (Outline A)

Flange naming rules:

2 - FDP70 (Outline A)

Examples:

To order a high power waveguide termination, WR-137, 5KW, Aluminum, FDP70, specify FWT137-5K-A-2.

Customization is available upon request.