

FWT187-2K

WR-187, 2KW

Features:
* Low VSWR

Applications:
* Transmitters
* Antennas
* Laboratory Test
* Impedance Matching

Electrical

Frequency: 3.94~5.99GHz
Average Power: 2KW
VSWR: 1.2 max.

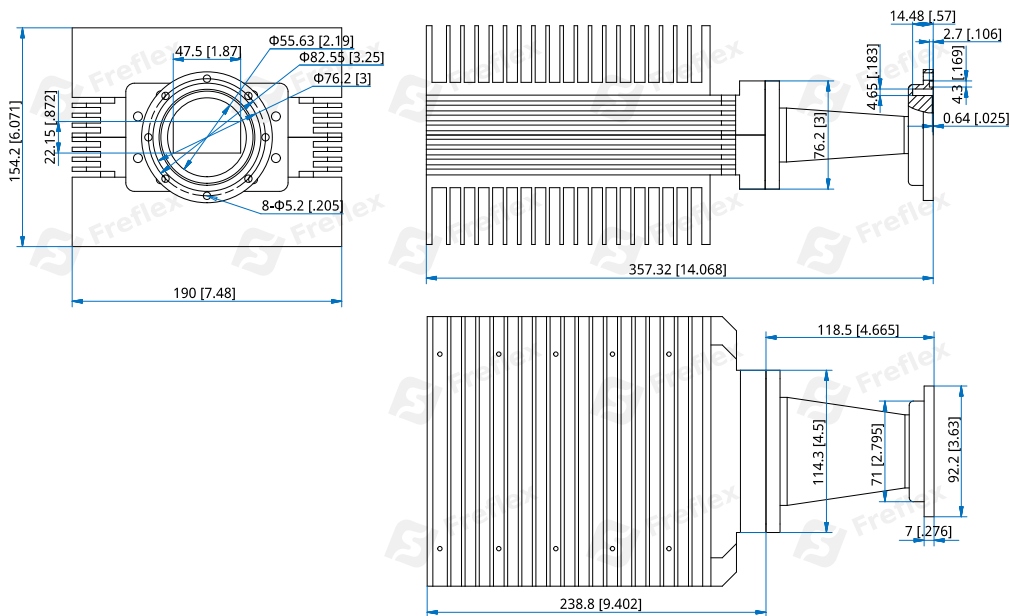
Mechanical

Waveguide Size: WR-187 (BJ48)
Flange: FAM48
Finish: Conductive oxidation
Coating: Black paint

Environmental

Temperature: -55~+125°C

Outline Drawings



Outline A

Unit: mm [in]

Tolerance: ±0.5mm [±0.02in]

How To Order

FWT187-2K-Y-Z

Y : Material

Z : Flange type

Material naming rules:

A - Aluminum (Outline A)

Flange naming rules:

19 - FAM48 (Outline A)

Examples:

To order a high power waveguide termination, WR-187, 2KW, FAM48, specify FWT187-2K-A-19.

Customization is available upon request.