

FL-1000-18000-10

1~18GHz, 10dBm

Features:
* Broadband

Applications:
* Wireless
* Transmitter
* Laboratory Test
* Radar

Electrical

Frequency:	1~18GHz
Insertion Loss:	2dB max.
Flat Leakage:	10dBm typ.
VSWR:	1.8 max.
Average Power:	1W
Impedance:	50Ω

Mechanical

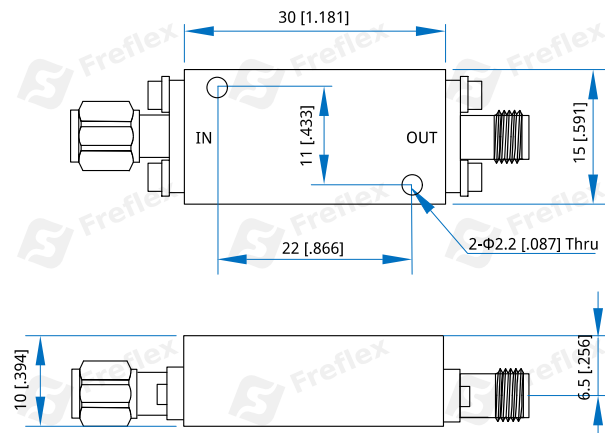
Size ^{*1} :	30*15*10mm 1.181*0.591*0.394in
RF In Connectors:	SMA Male
RF Out Connectors:	SMA Female
Mounting:	2-Φ2.2mm through-hole

[1] Exclude connectors.

Environmental

Operating Temperature:	-40~+70°C
Non-Operating Temperature:	-55~+85°C

Outline Drawings



Unit: mm [in]
Tolerance: ±0.5mm [±0.02in]

How To Order

FL-1000-18000-10

Customization is available upon request.