

FLAS-0.01-15000-12-70

0.00001~15GHz, 12dB, 7dB

Features:
 * Broad Band
 * Low Noise

Applications:
 * Wireless
 * Receiver
 * Laboratory Test
 * Radar

Electrical

Frequency:	0.00001~15GHz
Small Signal Gain:	12dB min.
Gain Flatness:	±3dB max.
Output Power (P1dB):	+12dBm min. +15dBm typ.
Noise Figure:	5.5dB typ. 7dB max. @0.5~15GHz
VSWR:	2 max. @0.01~15GHz
Voltage:	+220V AC
Impedance:	50Ω

Mechanical

Size*1: 136*186*52mm
 5.354*7.323*2.047in

RF Connectors: SMA Female

[1] Exclude connectors, rack mount brackets, handles.

How To Order

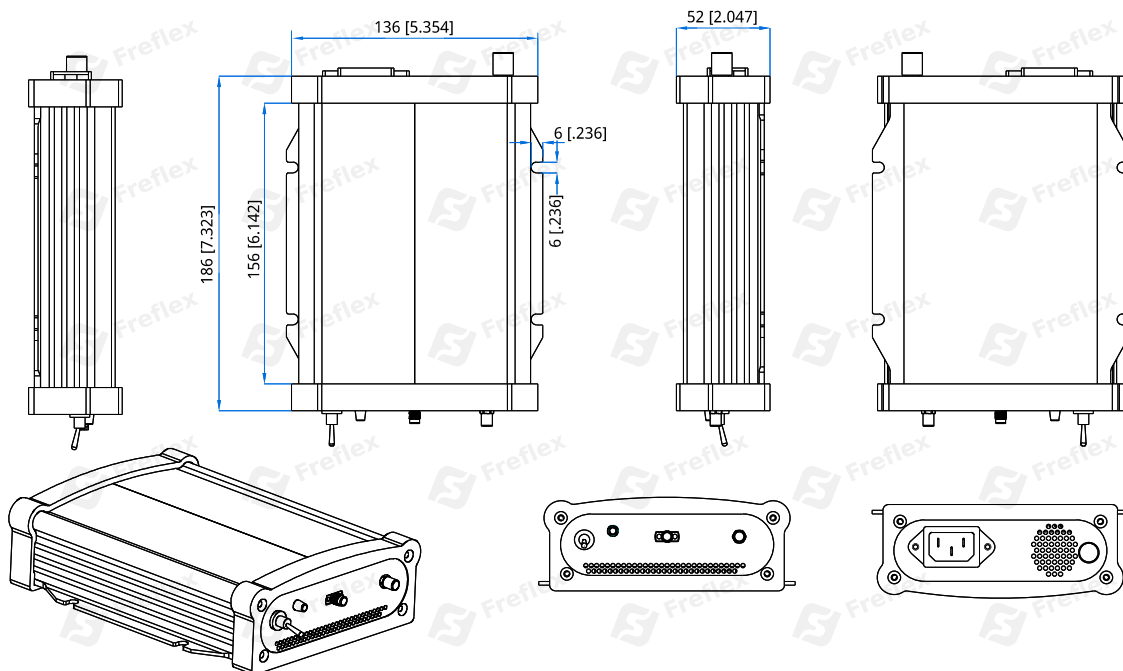
FLAS-0.01-15000-12-70

Customization is available upon request.

Environmental

Operating Temperature: -40~+70°C
 Non-operating Temperature: -55~+100°C

Outline Drawings



Unit: mm [in]

Tolerance: ±0.2mm [±0.008in]