

FLAS-0.1-500-24-30

0.1~500MHz, 24dB, 3dB

Features:
 * Broad Band
 * Low Noise

Applications:
 * Wireless
 * Receiver
 * Laboratory Test
 * Radar

Electrical

Frequency:	0.1~500MHz
Gain:	24dB min.
Gain Flatness:	±0.5dB typ.
Output Power (P1dB):	+5dBm min.
Noise Figure:	3dB max.
Spurious:	-60dBc max.
VSWR:	1.5 typ.
Voltage:	+220V AC
Impedance:	50Ω

Mechanical

Size*1: 136*186*52mm
 5.354*7.323*2.047in

RF Connectors: SMA Female

[1] Exclude connectors, rack mount brackets, handles.

How To Order

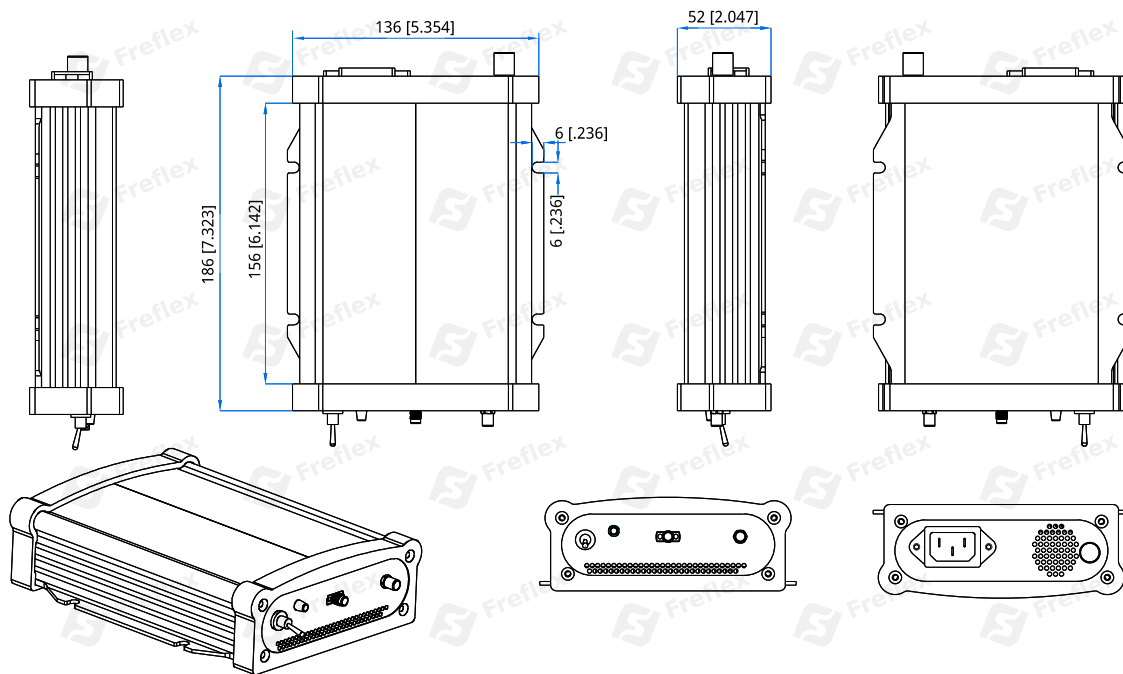
FLAS-0.1-500-24-30

Customization is available upon request.

Environmental

Operating Temperature:	-20~+60°C
Non-operating Temperature:	-40~+85°C

Outline Drawings



Unit: mm [in]

Tolerance: ±0.2mm [±0.008in]