

## FLAS-0.1-500-30-30

0.1~500MHz, 30dB, 3dB

Features:  
 \* Broad Band  
 \* Low Noise

Applications:  
 \* Wireless  
 \* Receiver  
 \* Laboratory Test  
 \* Radar

### Electrical

|                      |             |
|----------------------|-------------|
| Frequency:           | 0.1~500MHz  |
| Gain:                | 30dB min.   |
| Gain Flatness:       | ±0.5dB typ. |
| Output Power (P1dB): | +5dBm min.  |
| Noise Figure:        | 3dB max.    |
| Spurious:            | -60dBc max. |
| VSWR:                | 1.5 typ.    |
| Voltage:             | +220V AC    |
| Impedance:           | 50Ω         |

### Mechanical

Size\*1: 136\*186\*52mm  
 5.354\*7.323\*2.047in

RF Connectors: SMA Female

[1] Exclude connectors, rack mount brackets, handles.

### How To Order

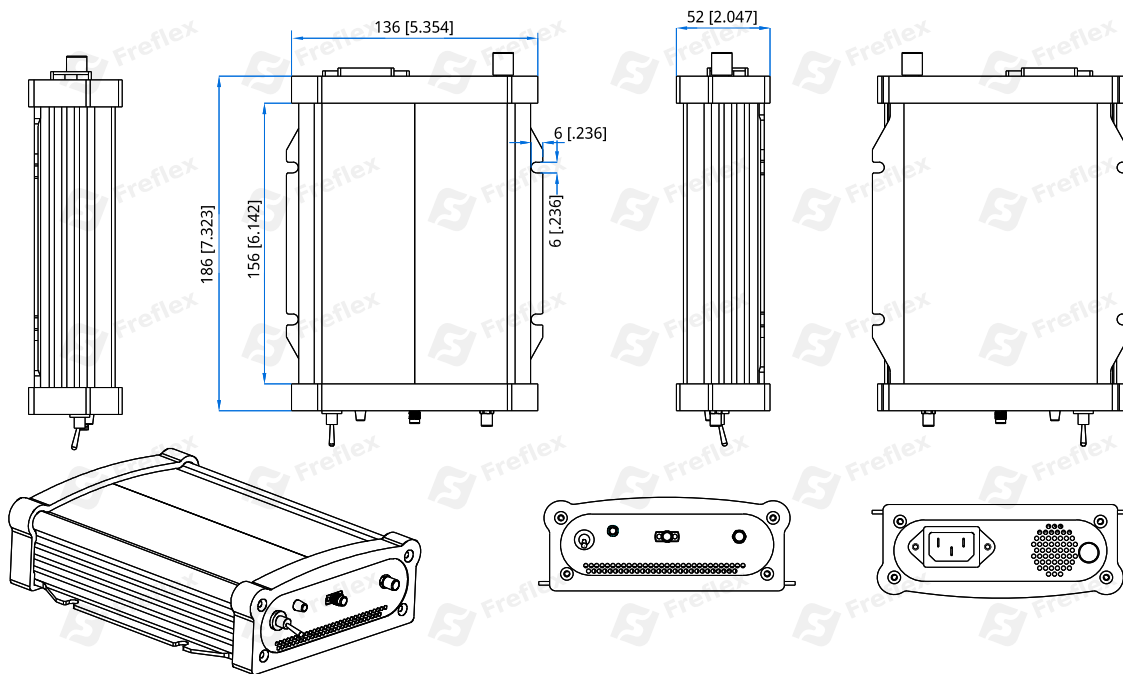
**FLAS-0.1-500-30-30**

Customization is available upon request.

### Environmental

Operating Temperature: -20~+60°C  
 Non-operating Temperature: -40~+85°C

### Outline Drawings



Unit: mm [in]  
 Tolerance: ±0.2mm [±0.008in]