

# FLAS-10-60-16-50

## 10~60MHz, 16dB, 5dB

Features:  
 \* Broad Band  
 \* Low Noise

Applications:  
 \* Wireless  
 \* Receiver  
 \* Laboratory Test  
 \* Radar

### Electrical

Frequency:	10~60MHz
Gain:	16dB min.
Gain Flatness:	±1.5dB
Output Power (P1dB):	23dBm
Noise Figure:	5dB max.
Spurious:	-60dBc max.
Voltage:	+220V AC

### Mechanical

Size\*1: 136\*186\*52mm  
 5.354\*7.323\*2.047in

RF Connectors: SMA Female

[1] Exclude connectors, rack mount brackets, handles.

### How To Order

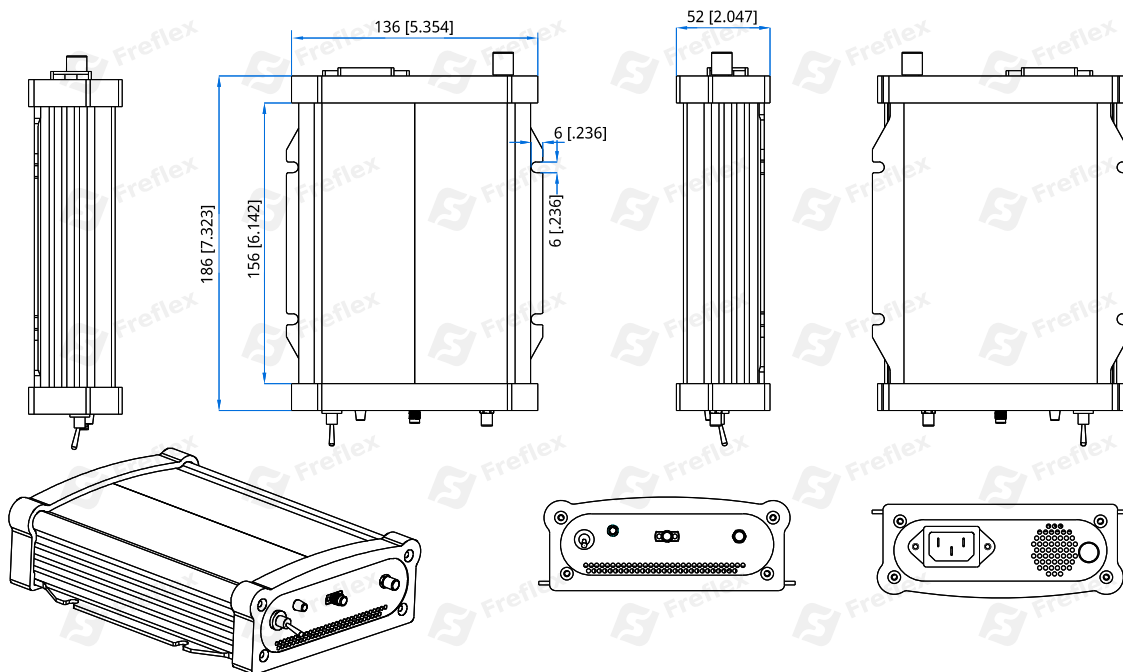
**FLAS-10-60-16-50**

Customization is available upon request.

### Environmental

Operating Temperature:	-20~+60°C
Non-operating Temperature:	-40~+85°C

### Outline Drawings



Unit: mm [in]  
 Tolerance: ±0.2mm [±0.008in]