

# FLAS-100-18000-35-40

0.1~18GHz, 35dB, 4dB

Features:  
 \* Broadband  
 \* Low Noise

Applications:  
 \* Wireless  
 \* Receiver  
 \* Laboratory Test  
 \* Radar

## Electrical

Frequency:	0.1~18GHz
Gain:	35dB min.
Gain Flatness:	±3dB max.
Output Power (P1dB):	10dBm min.
Noise Figure:	4dB max.
Spurious:	-60dBc max.
VSWR:	2.5 max.
Voltage:	220V AC
Input Power:	+10dBm max.
Impedance:	50Ω

## Mechanical

Size\*1: 136\*186\*52mm  
 5.354\*7.323\*2.047in

RF Connectors: SMA Female

[1] Exclude connectors, rack mount brackets, handles.

## Environmental

Operating Temperature: -20~+50°C

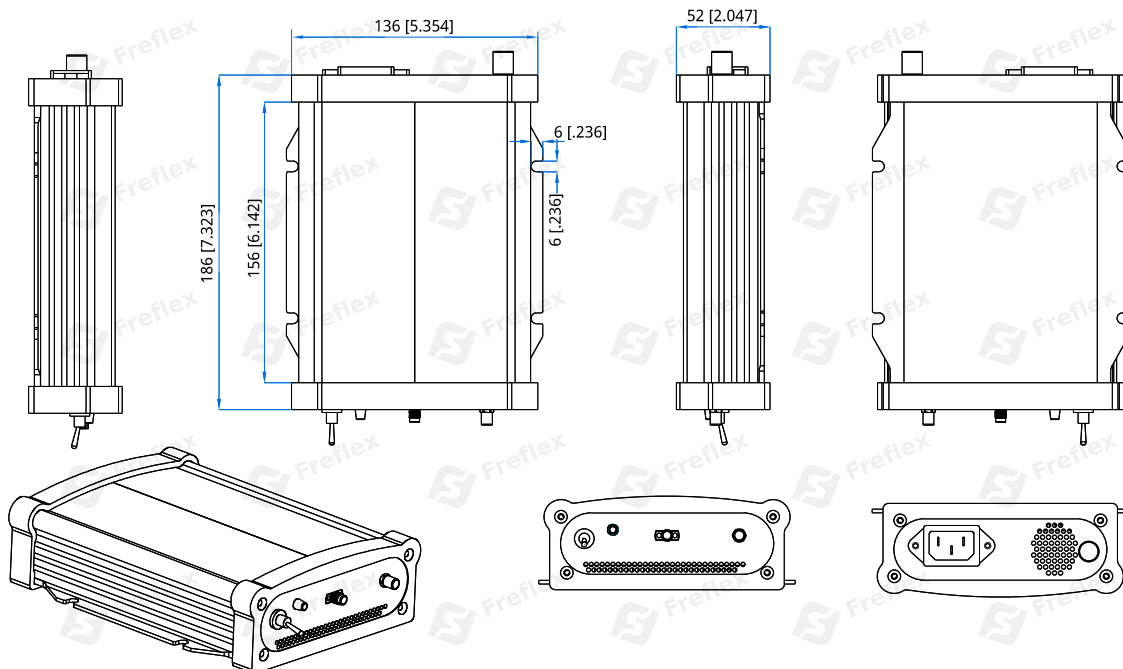
Non-operating Temperature: -40~+85°C

## How To Order

[FLAS-100-18000-35-40](#)

Customization is available upon request.

## Outline Drawings



Unit: mm [in]

Tolerance: ±0.2mm [±0.008in]