

FLAS-100-26500-30-55

0.1~26.5GHz, 30dB, 5.5dB

Features:
 * Broad Band
 * Low Noise

Applications:
 * Wireless
 * Receiver
 * Laboratory Test
 * Radar

Electrical

Frequency:	0.1~26.5GHz
Gain:	30dB typ.
Gain Flatness:	±3dB typ.
Output Power (P1dB):	+20dBm min.
Noise Figure:	5.5dB typ.
Spurious:	-60dBc max.
VSWR:	2 typ.
Voltage:	+220V AC
Impedance:	50Ω

Mechanical

Size*1: 136*186*52mm
 5.354*7.323*2.047in

RF Connectors: 2.92mm Female

[1] Exclude connectors, rack mount brackets, handles.

How To Order

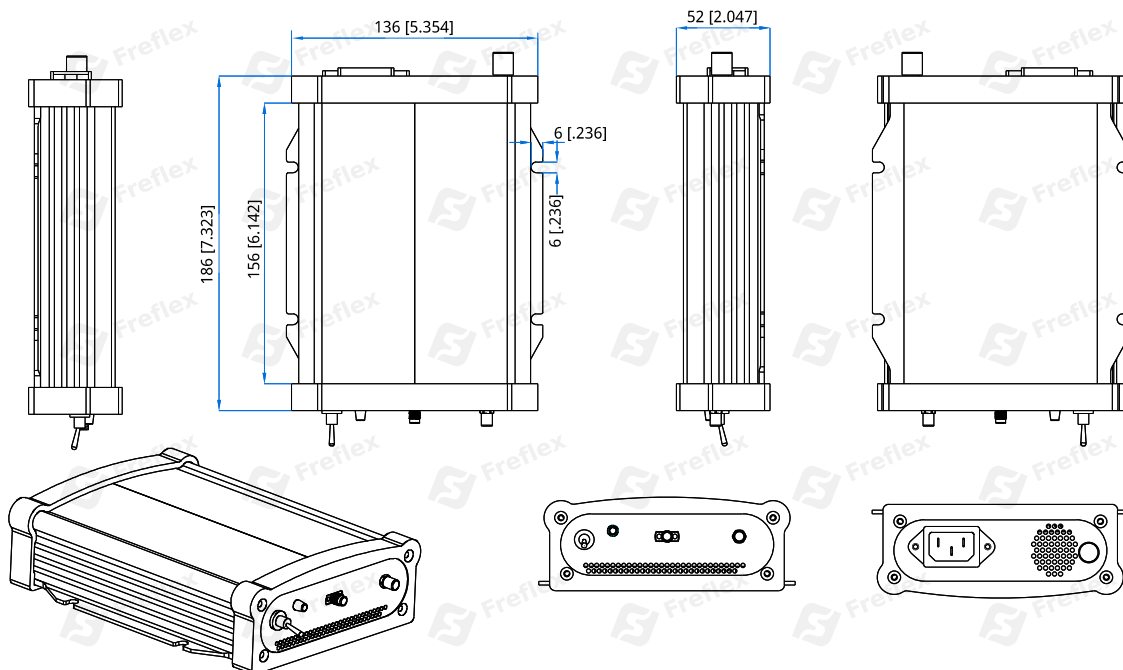
FLAS-100-26500-30-55

Customization is available upon request.

Environmental

Operating Temperature: -20~+50°C
 Non-operating Temperature: -40~+85°C

Outline Drawings



Unit: mm [in]

Tolerance: ±0.2mm [±0.008in]