

FLAS-1000-12000-45-20

1~12GHz, 45dB, 2.0dB



Features:
 * Broadband
 * Low Noise

Applications:
 * Wireless
 * Receiver
 * Laboratory Test
 * Radar

Electrical

Frequency:	1~12GHz
Gain:	45dB typ.
Gain Flatness:	±2dB typ.
Output Power (P1dB):	19dBm typ.
Noise Figure:	2.0dB typ.
Spurious:	-60dBc max.
VSWR:	2 typ.
Voltage:	+85~+265V AC
Current:	200mA typ.
Impedance:	50Ω

Absolute Maximum Ratings*1

RF Input Power: -25dBm

[1] Permanent damage may occur if any of these limits are exceeded.

Mechanical

Size*2: 136*186*52mm
 5.354*7.323*2.047in

RF Connectors: SMA Female

[2] Exclude connectors, rack mount brackets, handles.

Environmental

Operating Temperature: -20~+50

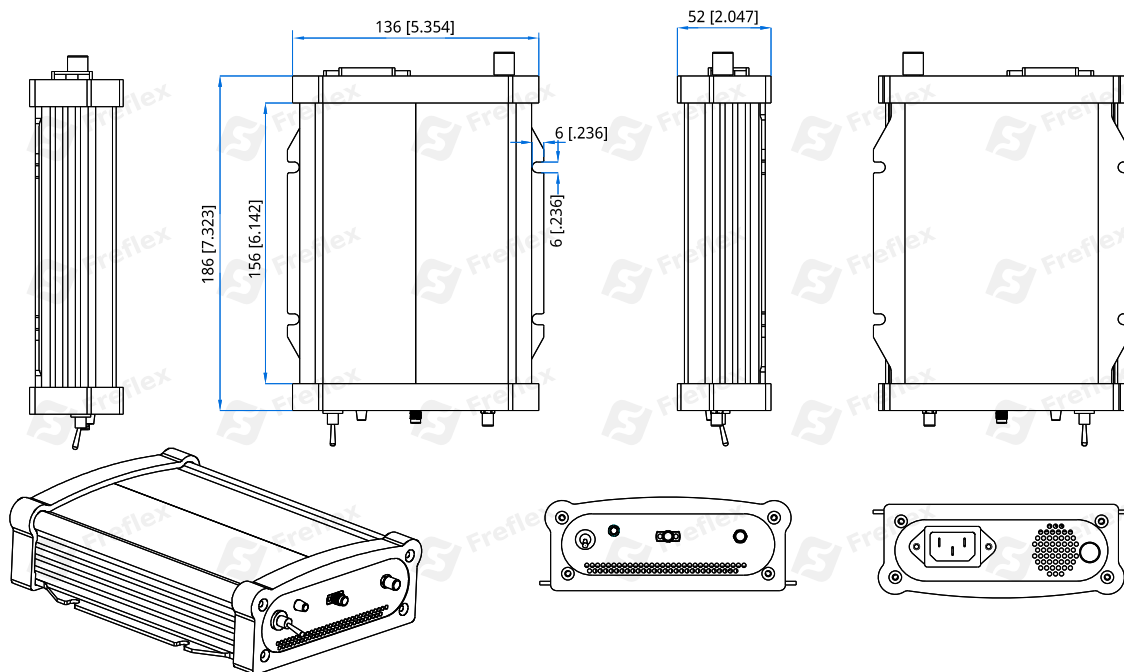
Non-operating Temperature: -40~+85

How To Order

[FLAS-1000-12000-45-20](#)

Customization is available upon request.

Outline Drawings



Unit: mm [in]

Tolerance: ±0.5mm [±0.02in]