

# FLAS-1000-18000-55-22

1~18GHz, 55dB, 2.2dB

Features:  
\* Broadband  
\* Low Noise

Applications:  
\* Wireless  
\* Receiver  
\* Laboratory Test  
\* Radar

## Electrical

Frequency:	1~18GHz
Gain:	55dB min.
Gain Flatness:	±1.5dB max.
Output Power (P1dB):	10dBm min.
Noise Figure:	2.2dB typ. 3dB max.
Spurious:	-60dBc max.
VSWR:	1.5 typ. 2.5 max.
Voltage:	220V AC
Input Power:	+10dBm max.
Impedance:	50Ω

## Mechanical

Size\*1: 136\*186\*52mm  
5.354\*7.323\*2.047in

RF Connectors: SMA Female

[1] Exclude connectors, rack mount brackets, handles.

## Environmental

Operating Temperature: -20~+50°C

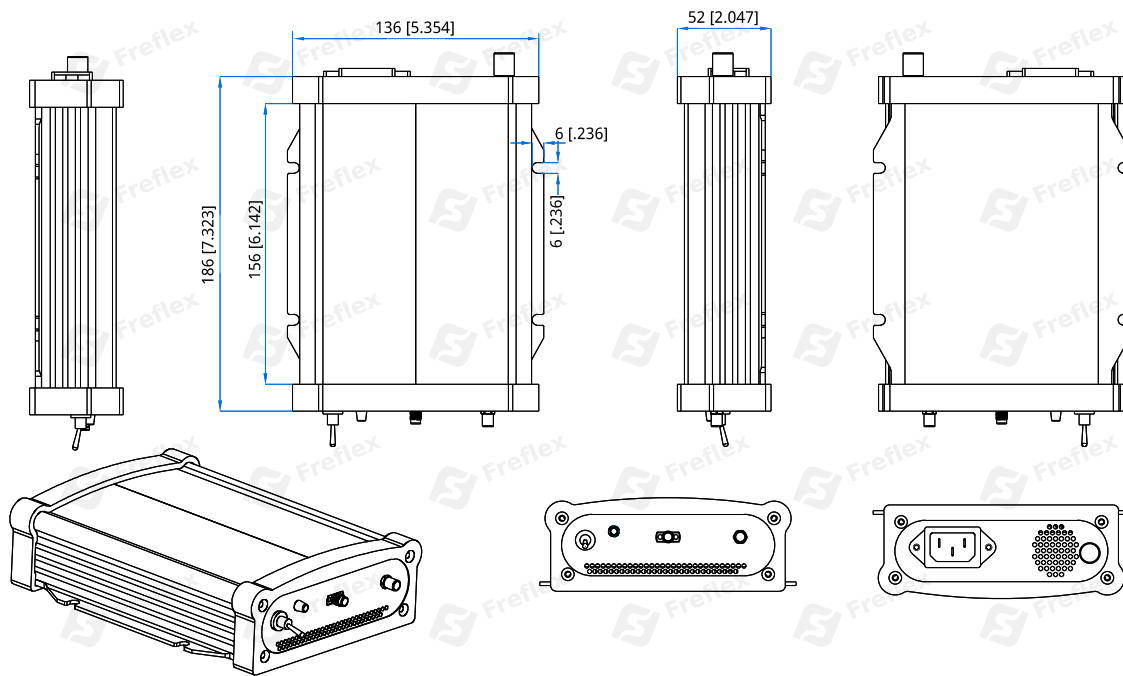
Non-operating Temperature: -40~+85°C

## How To Order

[FLAS-1000-18000-55-22](#)

Customization is available upon request.

## Outline Drawings



Unit: mm [in]

Tolerance: ±0.2mm [±0.008in]