

FLAS-1000-5000-25-40

1~5GHz, 25dB, 4dB

Features:
 * Broadband
 * Low Noise

Applications:
 * Wireless
 * Receiver
 * Laboratory Test
 * Radar

Electrical

Frequency:	1~5GHz
Gain:	25dB typ.
Output Power (Psat):	20dBm min.
Noise Figure:	4dB max.
Isolation:	20dB typ.
Spurious:	-60dBc max.
VSWR:	1.8 typ.
Voltage:	110V AC
Input Power:	+20dBm max.
Impedance:	50Ω

Mechanical

Size*1: 136*186*52mm
 5.354*7.323*2.047in

RF Connectors: SMA Female

[1] Exclude connectors, rack mount brackets, handles.

Environmental

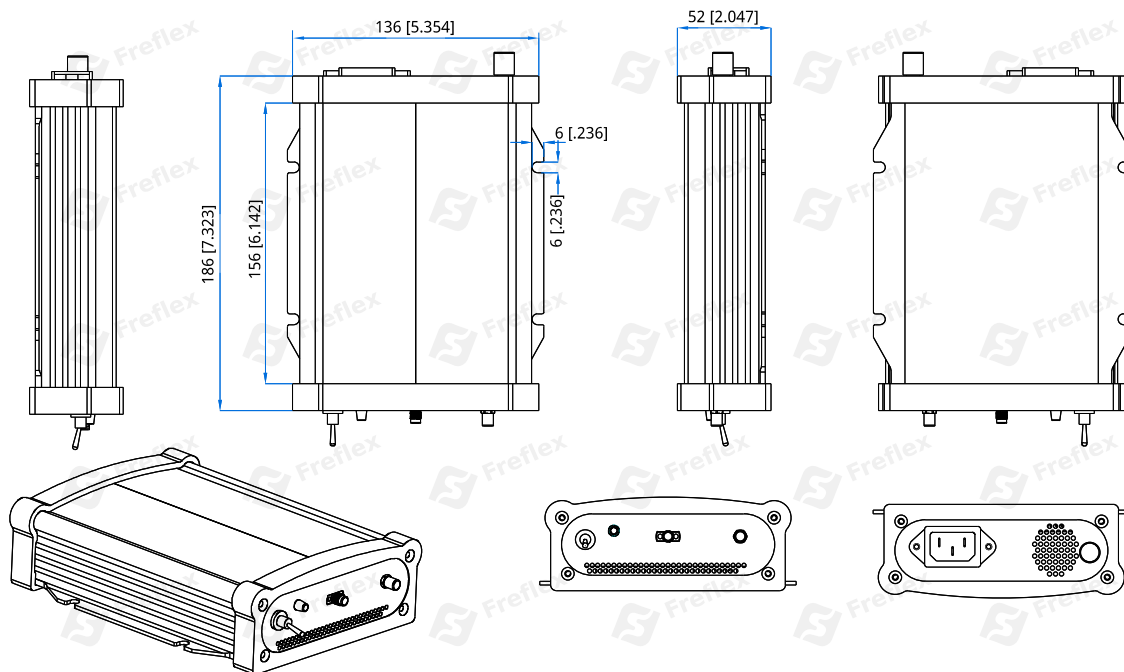
Operating Temperature: -20~+50°C

Non-operating Temperature: -40~+85°C

How To Order

[FLAS-1000-5000-25-40](#)

Outline Drawings



Unit: mm [in]

Tolerance: ±0.2mm [±0.008in]

Customization is available upon request.