

FLAS-1000-6000-45-20

1~6GHz, 45dB, 2.0dB

Features:

- * Broadband
- * Low Noise

Applications:

- * Wireless
- * Receiver
- * Laboratory Test
- * Radar



Electrical

Frequency:	1~6GHz
Gain:	45dB typ.
Gain Flatness:	±2dB typ.
Output Power (P1dB):	19dBm typ.
Noise Figure:	2.0dB typ.
Spurious:	-60dBc max.
VSWR:	2 typ.
Voltage:	+85~+265V AC
Current:	200mA typ.
Impedance:	50Ω

Absolute Maximum Ratings*1

RF Input Power:	-25dBm
-----------------	--------

[1] Permanent damage may occur if any of these limits are exceeded.

Mechanical

Size*2:	136*186*52mm
	5.354*7.323*2.047in

RF Connectors: SMA Female

[2] Exclude connectors, rack mount brackets, handles.

Environmental

Operating Temperature: -20~+50

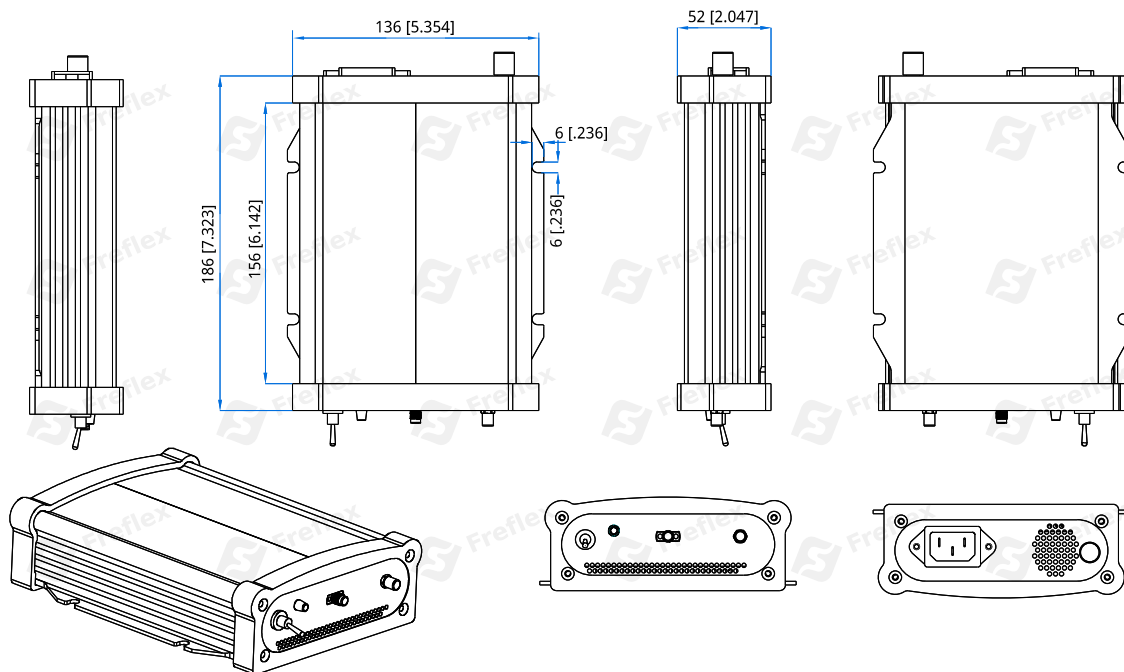
Non-operating Temperature: -40~+85

How To Order

FLAS-1000-6000-45-20

Customization is available upon request.

Outline Drawings



Unit: mm [in]

Tolerance: ±0.5mm [±0.02in]