

FLAS-200-6000-42-13

0.2~6GHz, 42dB, 1.3dB

Features:
 * Broad Band
 * Low Noise

Applications:
 * Wireless
 * Receiver
 * Laboratory Test
 * Radar

Electrical

Frequency:	0.2~6GHz
Gain:	42dB min.
Gain Flatness:	±2.0dB typ.
Output Power (P1dB):	+15dBm min.
Noise Figure:	1.3 typ.
Spurious:	-60dBc max.
Input VSWR:	1.5 typ.
Output VSWR:	2 typ.
Voltage:	+220V AC
Impedance:	50Ω

Mechanical

Size*1: 136*186*52mm
 5.354*7.323*2.047in

RF Connectors: SMA Female

[1] Exclude connectors, rack mount brackets, handles.

Environmental

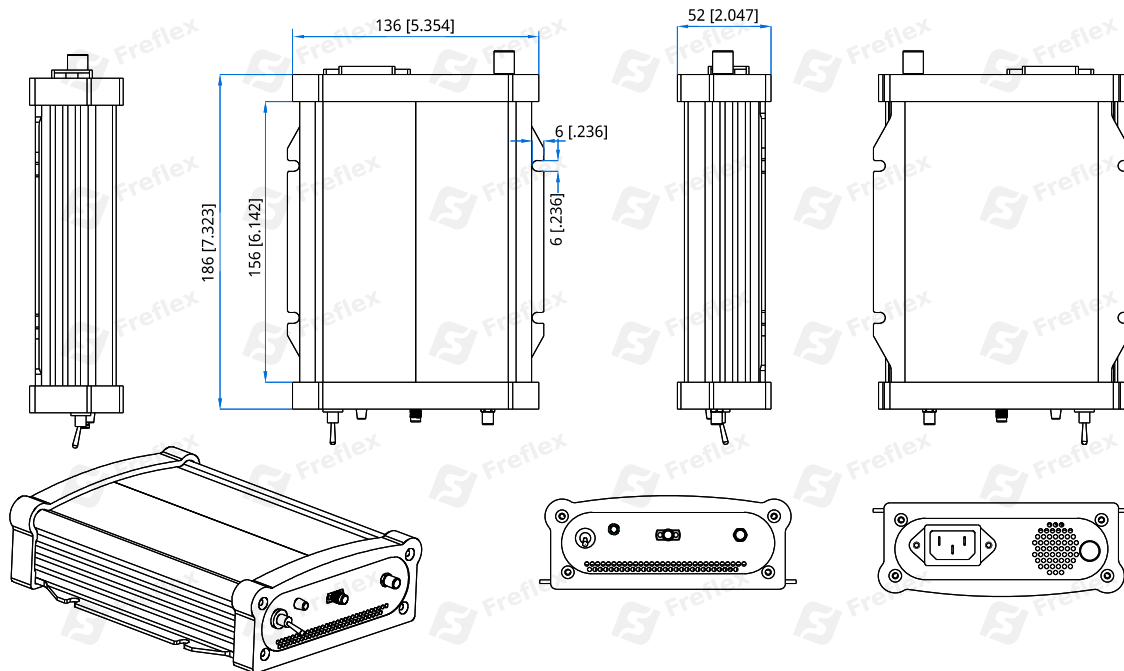
Operating Temperature: -20~+50°C

Non-operating Temperature: -40~+85°C

How To Order

[FLAS-200-6000-42-13](#)

Outline Drawings



Unit: mm [in]

Tolerance: ±0.2mm [±0.008in]

Customization is available upon request.