

FLAS-2000-26500-25-40

2~26.5GHz, 25dB, 4dB

Features:
 * Broad Band
 * Low Noise

Applications:
 * Wireless
 * Receiver
 * Laboratory Test
 * Radar

Electrical

| | |
|----------------------|-------------|
| Frequency: | 2~26.5GHz |
| Gain: | 25dB min. |
| Gain Flatness: | ±2dB typ. |
| Output Power (P1dB): | +8dBm min. |
| Noise Figure: | 4dB typ. |
| Spurious: | -60dBc max. |
| VSWR: | 1.8 typ. |
| Voltage: | +220V AC |
| Impedance: | 50Ω |

Mechanical

Size*1: 136*186*52mm
 5.354*7.323*2.047in

RF Connectors: SMA Female

[1] Exclude connectors, rack mount brackets, handles.

How To Order

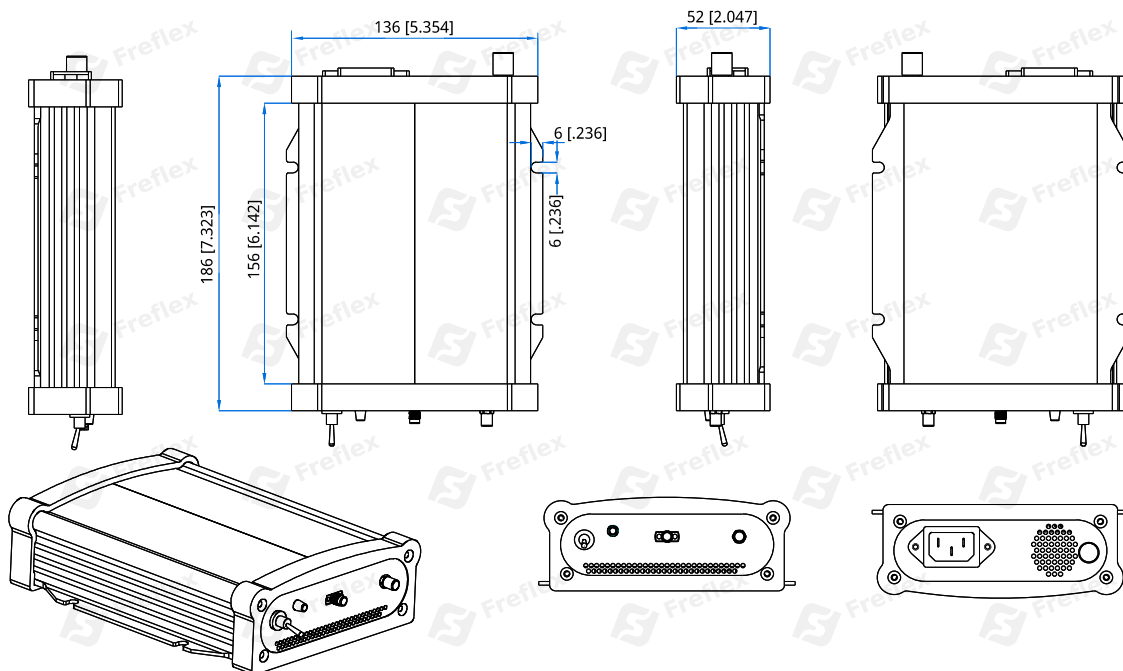
FLAS-2000-26500-25-40

Customization is available upon request.

Environmental

| | |
|----------------------------|-----------|
| Operating Temperature: | -20~+50°C |
| Non-operating Temperature: | -40~+85°C |

Outline Drawings



Unit: mm [in]

Tolerance: ±0.2mm [±0.008in]