

FLAS-2000-8000-20-40

2~8GHz, 20dB, 4dB

Features:
 * Broad Band
 * Low Noise

Applications:
 * Wireless
 * Receiver
 * Laboratory Test
 * Radar

Electrical

Frequency:	2~8GHz
Gain:	20dB min.
Gain Flatness:	±1.5dB typ.
Output Power (P1dB):	8dBm typ.
Noise Figure:	4dB max.
Harmonic:	-15dBc typ.
Spurious:	-60dBc max.
Input VSWR:	1.6 typ.
Output VSWR:	1.6 typ.
Voltage:	+220V AC
Impedance:	50Ω

Mechanical

Size*1: 136*186*52mm
 5.354*7.323*2.047in

RF Connectors: SMA Female

[1] Exclude connectors, rack mount brackets, handles.

Environmental

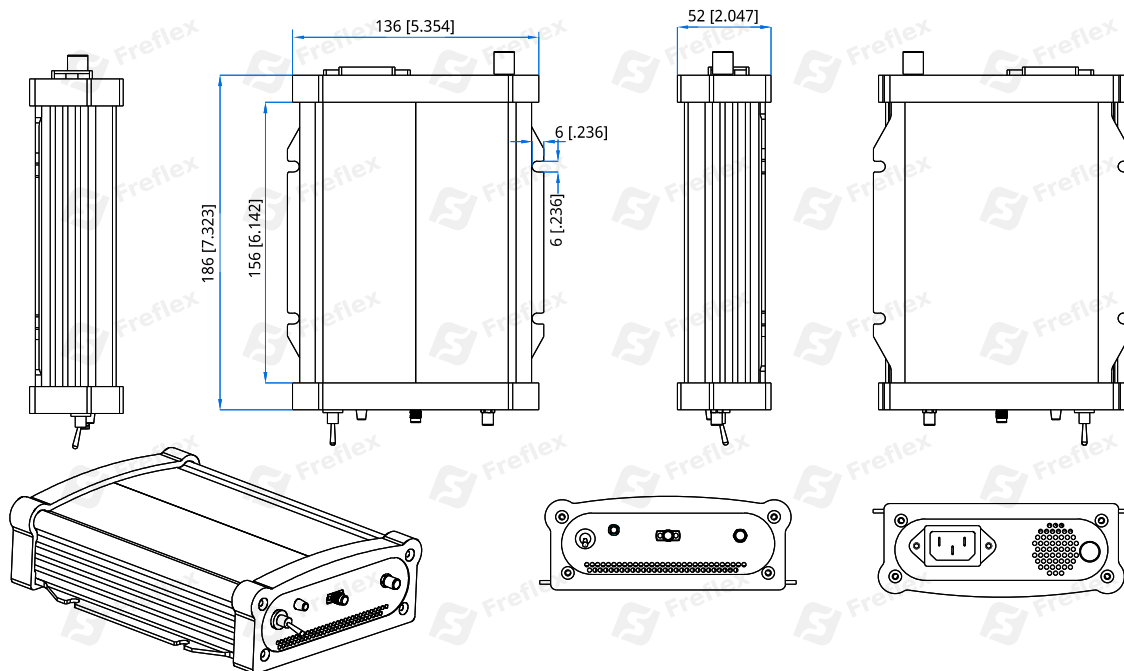
Operating Temperature: -20~+50°C

Non-operating Temperature: -40~+85°C

How To Order

FLAS-2000-8000-20-40

Outline Drawings



Unit: mm [in]

Tolerance: ±0.2mm [±0.008in]

Customization is available upon request.