

# FLAS-25-1000-50-13

25~1000MHz, 50dB, 1.3dB

Features:  
 \* Broadband  
 \* Low Noise

Applications:  
 \* Wireless  
 \* Receiver  
 \* Laboratory Test  
 \* Radar

## Electrical

Frequency:	25~1000MHz
Gain:	50dB min.
Output Power (P1dB):	14dBm typ.
Noise Figure:	1.3dB max.
Spurious:	-60dBc max.
VSWR:	2.5 max.
Voltage:	80~270V AC
Input Power:	-25dBm max.
Impedance:	50Ω

## Mechanical

Size\*1: 136\*186\*52mm  
 5.354\*7.323\*2.047in

RF Connectors: SMA Female

[1] Exclude connectors, rack mount brackets, handles.

## How To Order

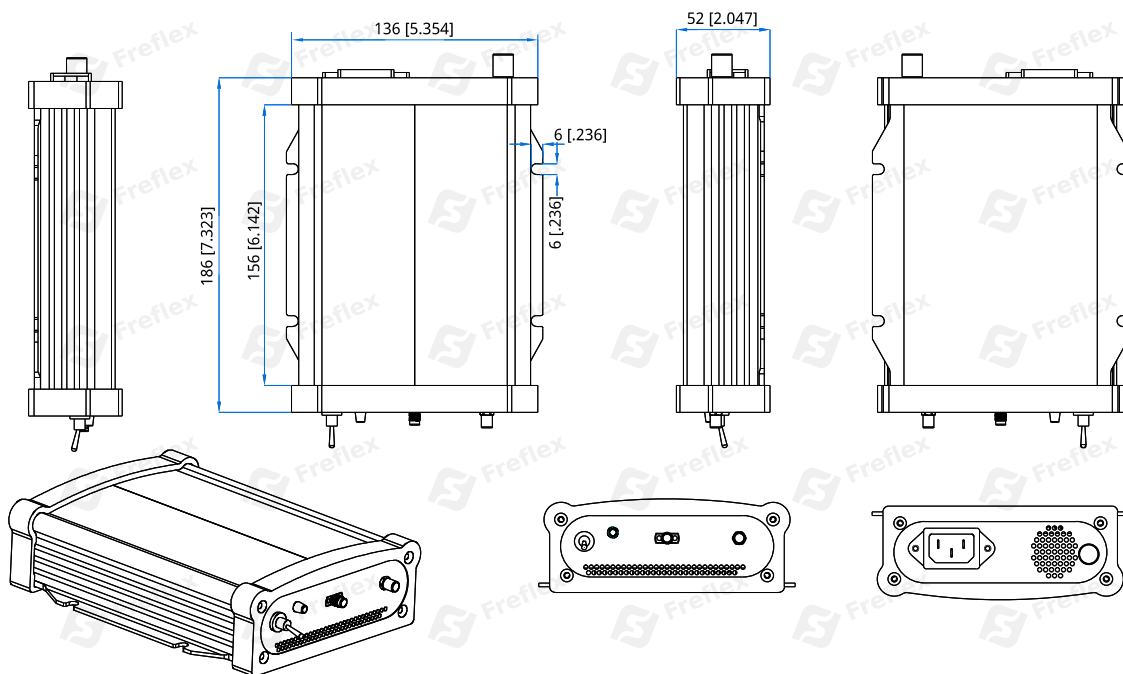
**FLAS-25-1000-50-13**

Customization is available upon request.

## Environmental

Operating Temperature: -20~+50°C  
 Non-operating Temperature: -40~+85°C

## Outline Drawings



Unit: mm [in]

Tolerance: ±0.2mm [±0.008in]