

FLAS-400-8000-40-25

0.4~8GHz, 40dB, 2.5dB

Features:
 * Broad Band
 * Low Noise

Applications:
 * Wireless
 * Receiver
 * Laboratory Test
 * Radar

Electrical

Frequency:	0.4~8GHz
Gain:	40dB min.
Gain Flatness:	±1.5dB max.
Output Power (P1dB):	+14dBm min.
Noise Figure:	2.5dB max.
Spurious:	-60dBc max.
Input VSWR:	2 typ.
Output VSWR:	1.8 typ.
Voltage:	110V AC
Impedance:	50Ω
Input Power:	+18dBm max.

Environmental

Operating Temperature:	-20~+55°C
Non-operating Temperature:	-40~+85°C

Mechanical

Size*1: 136*186*52mm
 5.354*7.323*2.047in

RF Connectors: SMA Female

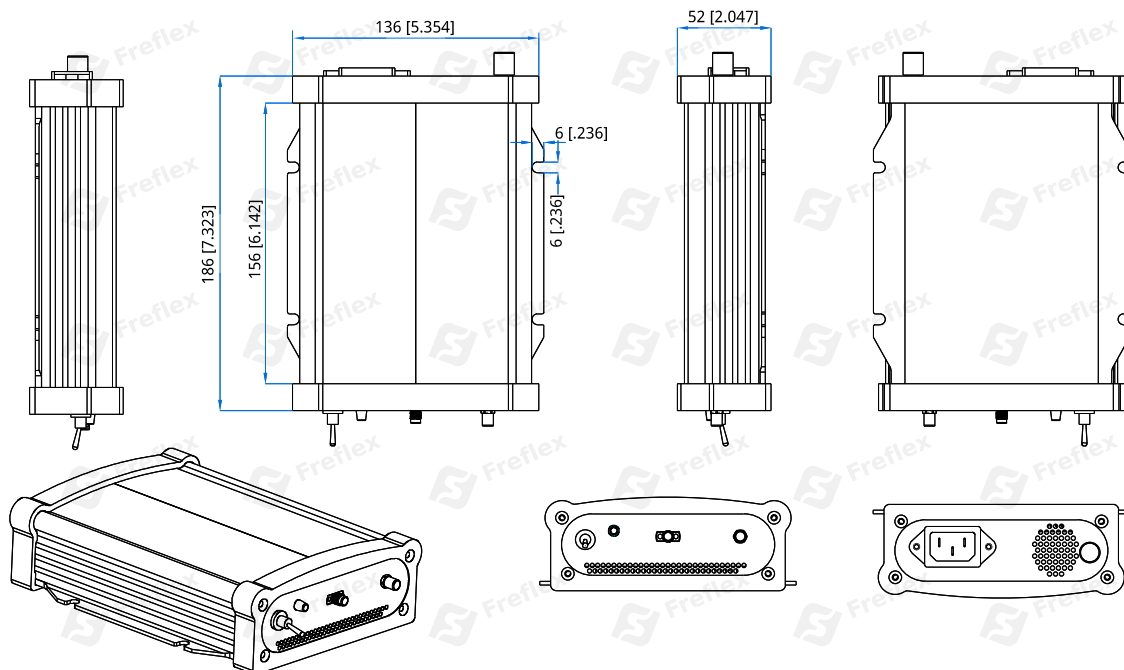
[1] Exclude connectors, rack mount brackets, handles.

How To Order

FLAS-400-8000-40-25

Customization is available upon request.

Outline Drawings



Unit: mm [in]

Tolerance: ±0.2mm [±0.008in]