

FLAS-500-8000-20-25

0.5~8GHz, 20dB, 2.5dB

Features:
 * Broadband
 * Low Noise

Applications:
 * Wireless
 * Receiver
 * Laboratory Test
 * Radar

Electrical

Frequency:	0.5~8GHz
Gain:	20dB min.
Gain Flatness:	±2dB max.
Output Power (P1dB):	20dBm min.
Noise Figure:	2.5dB max.
Spurious:	-60dBc max.
VSWR:	2 max.
Voltage:	220V AC
Input Power:	+10dBm max.
Impedance:	50Ω

Mechanical

Size*1: 136*186*52mm
 5.354*7.323*2.047in

RF Connectors: SMA Female

[1] Exclude connectors, rack mount brackets, handles.

Environmental

Operating Temperature: -20~+50°C

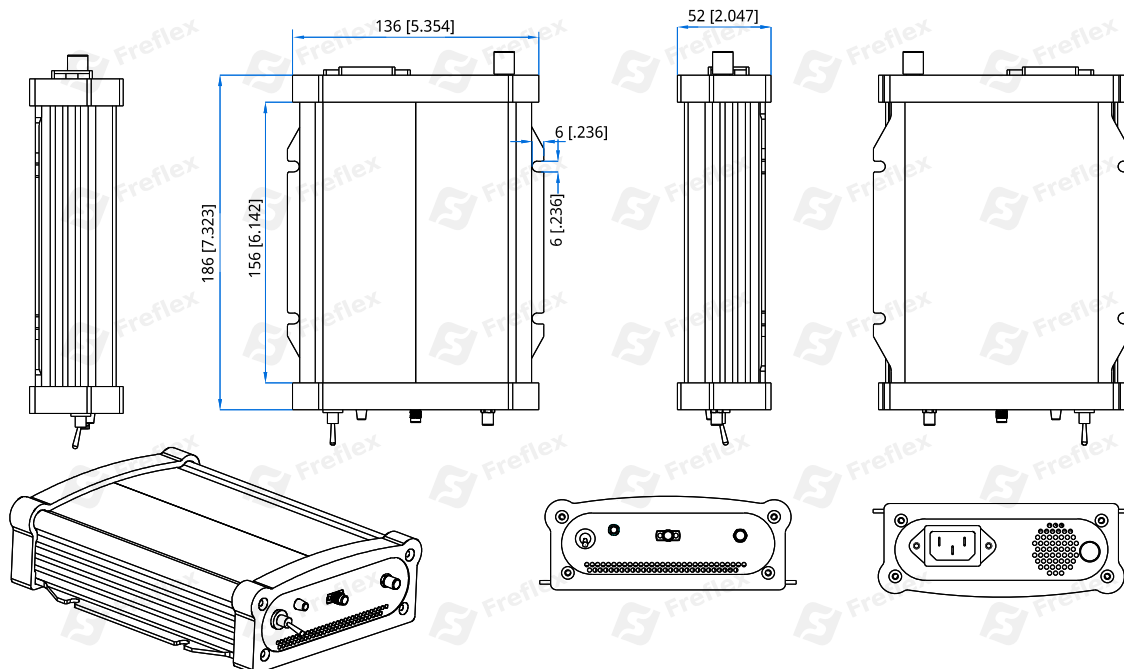
Non-operating Temperature: -40~+85°C

How To Order

FLAS-500-8000-20-25

Customization is available upon request.

Outline Drawings



Unit: mm [in]

Tolerance: ±0.2mm [±0.008in]