

FLAS-5400-5900-35-08

5.4~5.9GHz, 35dB, 0.8dB

Features:
 * Broad Band
 * Low Noise

Applications:
 * Wireless
 * Receiver
 * Laboratory Test
 * Radar

Electrical

Frequency:	5.4~5.9GHz
Gain:	35dB min.
Gain Flatness:	±0.3dB typ.
Output Power (P1dB):	+10dBm min.
Noise Figure:	0.8dB typ.
Spurious:	-60dBc max.
VSWR:	1.4 typ.
Voltage:	+220V AC
Impedance:	50Ω

Mechanical

Size*1: 136*186*52mm
 5.354*7.323*2.047in

RF Connectors: SMA Female

[1] Exclude connectors, rack mount brackets, handles.

How To Order

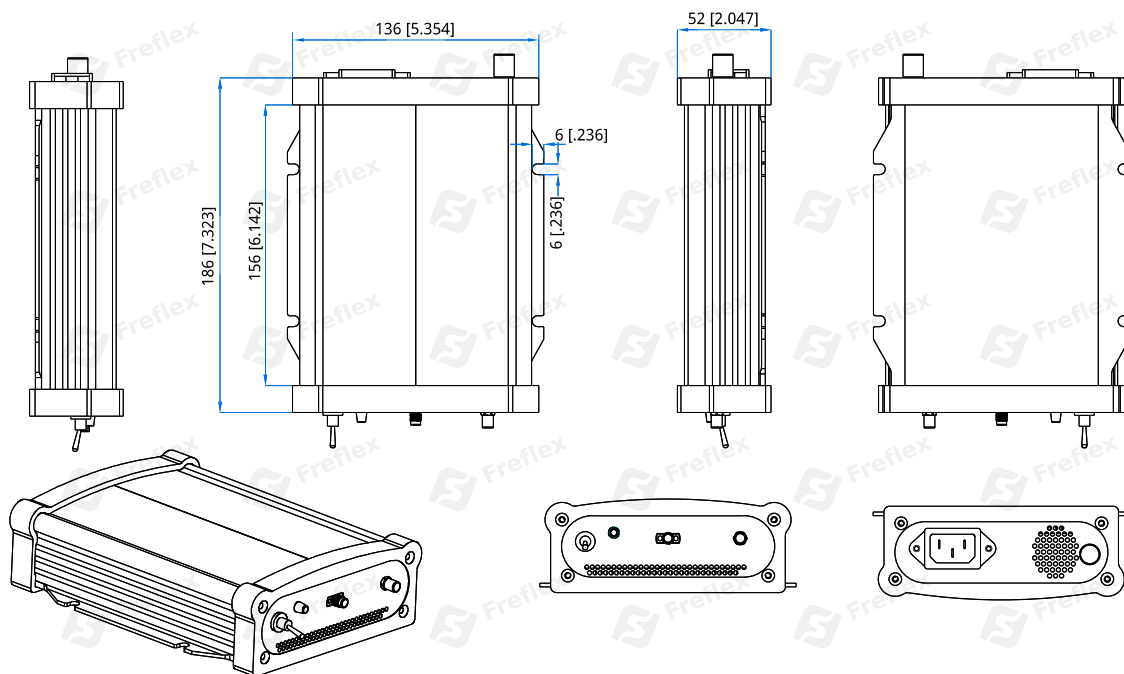
FLAS-5400-5900-35-08

Customization is available upon request.

Environmental

Operating Temperature:	-20~+50°C
Non-operating Temperature:	-40~+85°C

Outline Drawings



Unit: mm [in]

Tolerance: ±0.2mm [±0.008in]