

## FLAS-6000-18000-38-15

6~18GHz, 38dB, 1.5dB

Features:  
 \* Broadband  
 \* Low Noise

Applications:  
 \* Wireless  
 \* Receiver  
 \* Laboratory Test  
 \* Radar



### Electrical

Frequency:	6~18GHz
Gain:	38dB typ.
Gain Flatness:	±1.5dB typ.
Output Power (P1dB):	18dBm typ.
Noise Figure:	1.5dB typ.
Spurious:	-60dBc max.
VSWR:	1.6 typ.
Voltage:	+85~+265V AC
Current:	200mA typ.
Impedance:	50Ω

### Absolute Maximum Ratings\*1

RF Input Power: +20dBm

[1] Permanent damage may occur if any of these limits are exceeded.

### Mechanical

Size\*2: 136\*186\*52mm  
 5.354\*7.323\*2.047in

RF Connectors: SMA Female

[2] Exclude connectors, rack mount brackets, handles.

### Environmental

Operating Temperature: -20~+50°C

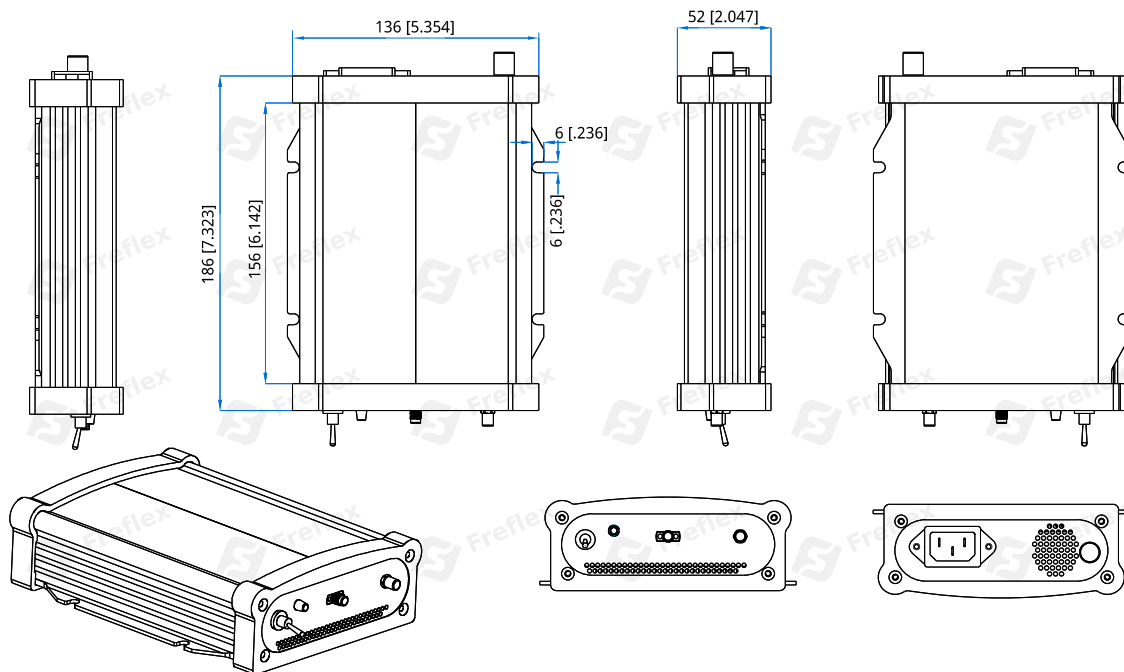
Non-operating Temperature: -40~+85°C

### How To Order

[FLAS-6000-18000-38-15](#)

Customization is available upon request.

### Outline Drawings



Unit: mm [in]

Tolerance: ±0.5mm [±0.02in]