

# FLAS-6000-18000-50-30

6~18GHz, 50dB, 3dB

Features:  
 \* Broadband  
 \* Low Noise

Applications:  
 \* Wireless  
 \* Receiver  
 \* Laboratory Test  
 \* Radar

## Electrical

|                      |                        |
|----------------------|------------------------|
| Frequency:           | 6~18GHz                |
| Gain:                | 50dB min.              |
| Gain Flatness:       | ±1.5dB typ.            |
| Output Power (P1dB): | 15dBm min.             |
| Noise Figure:        | 2.5dB typ.<br>3dB max. |
| Spurious:            | -60dBc max.            |
| VSWR:                | 1.5 typ.<br>2 max.     |
| Voltage:             | 220V AC                |
| Input Power:         | +10dBm max.            |
| Impedance:           | 50Ω                    |

## Environmental

|                            |           |
|----------------------------|-----------|
| Operating Temperature:     | -20~+50°C |
| Non-operating Temperature: | -40~+85°C |

## Mechanical

Size\*1: 136\*186\*52mm  
 5.354\*7.323\*2.047in

RF Connectors: SMA Female

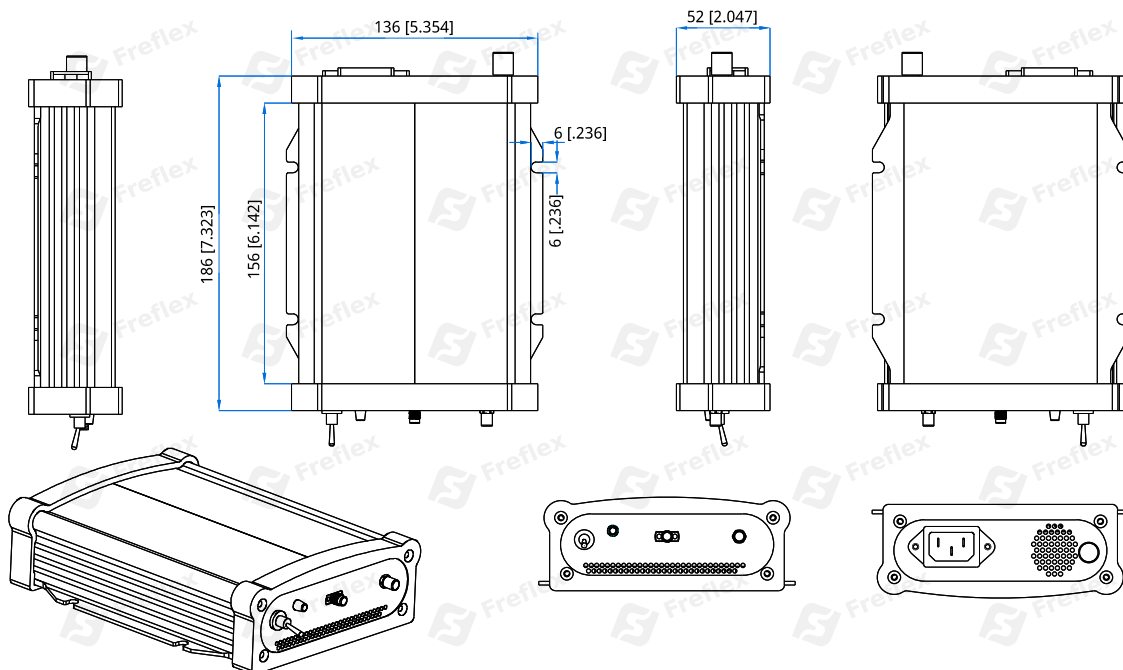
[1] Exclude connectors, rack mount brackets, handles.

## How To Order

[FLAS-6000-18000-50-30](#)

Customization is available upon request.

## Outline Drawings



Unit: mm [in]

Tolerance: ±0.2mm [±0.008in]