

# FLAS-800-18000-25-35

0.8~18GHz, 25dB, 3.5dB

Features:  
 \* Broad Band  
 \* Low Noise

Applications:  
 \* Wireless  
 \* Receiver  
 \* Laboratory Test  
 \* Radar

## Electrical

Frequency:	0.8~18GHz
Gain:	25dB min.
Gain Flatness:	±2.5dB typ.
Output Power (P1dB):	+13dBm min.
Noise Figure:	3.5dB typ.
Spurious:	-60dBc max.
VSWR:	2 typ.
Voltage:	+220V ASC
Impedance:	50Ω

## Mechanical

Size\*1: 136\*186\*52mm  
 5.354\*7.323\*2.047in

RF Connectors: SMA Female

[1] Exclude connectors, rack mount brackets, handles.

## How To Order

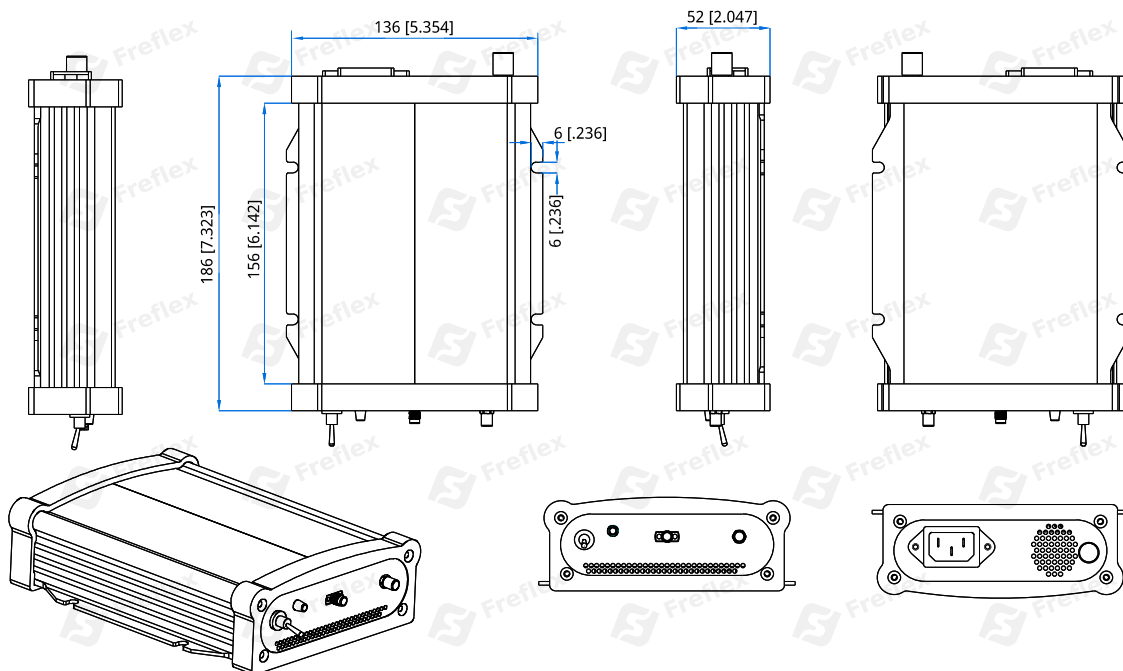
**FLAS-800-18000-25-35**

Customization is available upon request.

## Environmental

Operating Temperature:	-20~+50°C
Non-operating Temperature:	-40~+85°C

## Outline Drawings



Unit: mm [in]

Tolerance: ±0.2mm [±0.008in]