

FLA-1-400-50-20

1~400MHz, 50dB, 2dB

Features:
 * Broad Band
 * Low Noise

Applications:
 * Wireless
 * Receiver
 * Laboratory Test
 * Radar

Electrical

Frequency:	1~400MHz
Gain:	50dB min.
Gain Flatness:	±0.5dB typ.
Output Power (P1dB):	20dBm min.
Noise Figure:	2.0dB max.@10~400MHz
VSWR:	2.0 max.
Voltage:	+15V DC typ.
Current:	150mA typ.
Impedance:	50Ω

Mechanical

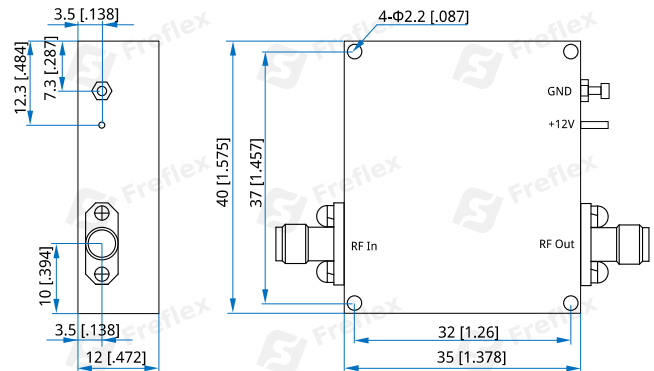
Size ^{*1} :	35*40*12mm 1.378*1.575*0.472in
RF Connectors:	SMA Female
Power Supply Connectors:	Feed Through/Terminal Post
Mounting:	4-Φ2.2mm through-hole

[1] Exclude connectors.

Environmental

Operating Temperature:	-40~+70°C
Non-operating Temperature:	-55~+85°C

Outline Drawings



Unit: mm [in]
 Tolerance: ±0.2mm [±0.008in]

How To Order

FLA-1-400-50-20

Customization is available upon request.