

## FLA-20-6000-32-15

0.02~6GHz, 32dB, 1.5dB

Features:  
 \* Broad Band  
 \* Low Noise

Applications:  
 \* Wireless  
 \* Receiver  
 \* Laboratory Test  
 \* Radar

### Electrical

Frequency:	0.02~6GHz
Small Signal Gain:	32dB min.
Gain Flatness:	±1.5dB typ.
Output Power (P1dB):	12dBm min.
Noise Figure:	1.5dB typ.
Input VSWR:	2 max.@20MHz~50MHz 2.5 max.@50MHz~6GHz
Output VSWR:	2 max.
Input Power before Damage:	13dBm max.
Voltage:	5V DC typ.
Current:	80mA typ.
Impedance:	50Ω

### Mechanical

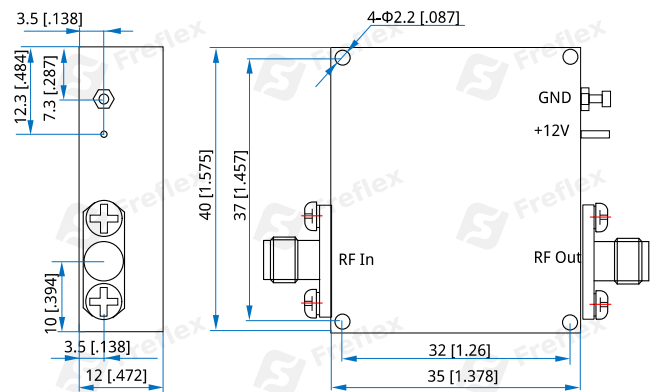
Size <sup>*1</sup> :	40*35*12mm 1.575*1.378*0.472in
RF Connectors:	SMA Female
Mounting:	4-Φ2.2mm through-hole

[1] Exclude connectors.

### Environmental

Operating Temperature:	-40~+70°C
Non-Operating Temperature:	-55~+100°C

### Outline Drawings



Unit: mm [in]  
 Tolerance: ±0.2mm [±0.008in]

### How To Order

**FLA-20-6000-32-15**

Customization is available upon request.