

FLA-200-10000-45-50

0.2~10GHz, 45dB, 5dB

Features:
 * Broad Band
 * Low Noise

Applications:
 * Wireless
 * Receiver
 * Laboratory Test
 * Radar

Electrical

Frequency:	0.2~10GHz
Small Signal Gain:	45dB min.
Gain Flatness:	±2.0dB max.
Output Power (P1dB):	23dBm min.
Noise Figure:	5.0dB max.
VSWR:	2.2 max.
Voltage:	+12V DC typ.
Current:	280mA typ.
Impedance:	50Ω

Mechanical

Size^{*1}: 35*40*12mm
 1.378*1.575*0.472in

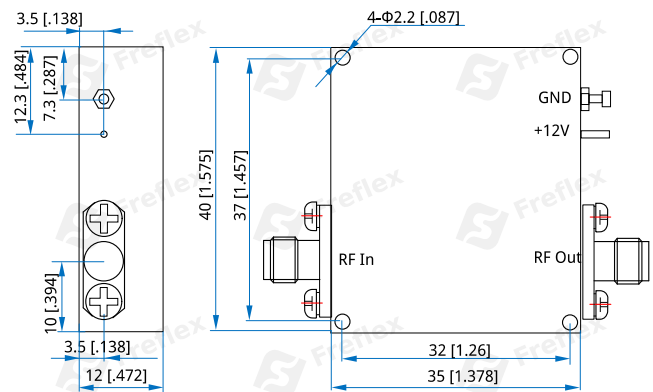
RF Connectors: SMA Female

[1] Exclude connectors.

Environmental

Operating Temperature: -40~+70°C

Outline Drawings



Unit: mm [in]

Tolerance: ±0.2mm [±0.008in]

How To Order

FLA-200-10000-45-50

Customization is available upon request.