

## FLA-500-18000-14-30

0.5~18GHz, 14dB, 3dB

Features:  
 \* Broad Band  
 \* Low Noise

Applications:  
 \* Wireless  
 \* Receiver  
 \* Laboratory Test  
 \* Radar

### Electrical

Frequency:	0.5~18GHz
Small Signal Gain:	14dB min.
Gain Flatness:	±0.75dB typ.
Output Power (P1dB):	17dBm min.
Noise Figure:	3dB typ.
Input VSWR:	2.0 max.
output VSWR:	2.0 max.
Voltage:	+15V DC max.
Current:	165mA typ.
Impedance:	50Ω
Input Power(no damage):	17dBm max.

### Mechanical

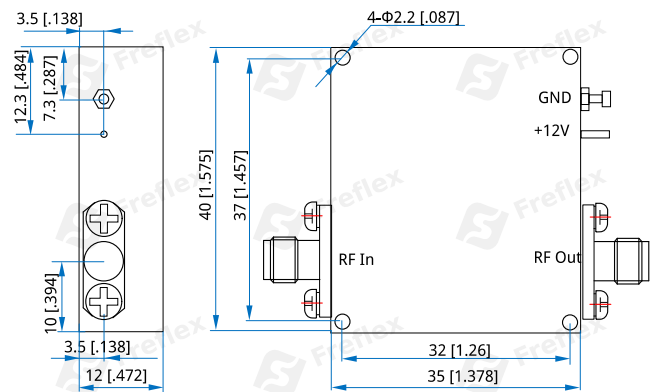
Size*1:	35*40*12mm 1.378*1.575*0.472in
RF Connectors:	SMA Female
Mounting:	4-Φ2.2mm through-hole

[1] Exclude connectors.

### Environmental

Operating Temperature:	-54~+85°C
Non-operating Temperature:	-55~+100°C

### Outline Drawings



Unit: mm [in]  
 Tolerance: ±0.2mm [±0.008in]

### How To Order

**FLA-500-18000-14-30**

Customization is available upon request.