

FLF-11000-50

DC~11GHz, 50dB

Features:

- * High Stopband Rejection
- * Small Size

Applications:

- * Telecom
- * Laboratory Test
- * Receivers
- * Instrumentation

Electrical

Frequency:	DC~11GHz
Stopband Attenuation:	50dB@12.1~19GHz min.
Insertion Loss:	1dB@DC~10.8GHz max. 1.5dB@10.8~11GHz max.
VSWR:	1.5max.
Average Power:	15W max.
Impedance:	50Ω

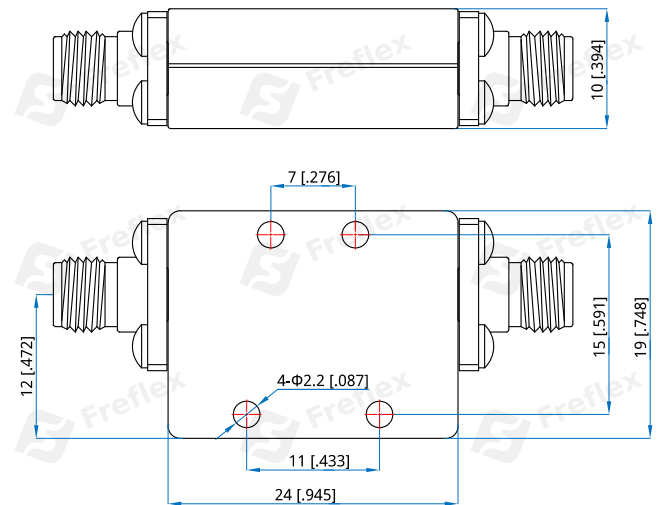
Mechanical

Size ^{*1} :	24*19*10mm 0.945*0.748*0.394in
RF Connectors:	SMA Female
Mounting:	4-Φ2.2mm through-hole

[1] Exclude connectors.

Environmental

Temperature:	-55~+85°C
--------------	-----------

Outline Drawings


Unit: mm [in]

Tolerance: ±0.3mm [±0.012in]

How To Order

FLF-11000-50

Customization is available upon request.